

506F Series

Fiber Interface Device/Slack Storage Unit

CPE/Premise Wiring

DOT

FTTx

PON

Utility/Municipality



Tii's 506F Fiber Interface Device/Slack Storage Unit is a compact unit which provides demarcation between the OSP fiber drop and customer fiber drop, as well as slack storage for up to 50ft. of customer drop fiber. The 506F is configurable for up to twenty-four fiber adapters.

KEY PRODUCT BENEFITS

- ▶ Slack storage for up to 50 feet of fiber
- ▶ Multiple slack storage and adapter plate configurations available:
 - 4 port patch with 2 fusion splice capacity
 - 6 port patch only
 - 12 port patch only
 - 24 port patch only (LC)
- ▶ 1/2" Grommet Kits compatible with RTK Series Riser Tube Kit
- ▶ Optional cable entry clamp and internal/external ground stud
- ▶ Corner slack retention for "springy" OSP drop cable or buffer tubes
- ▶ Multiple slack management tie down points
- ▶ Grommets on back provide rear fiber entry or exit
- ▶ Cover closes securely with 3/8" hex head bolt and has a provision for a security seal

INDUSTRY STANDARDS

- ▶ Designed to GR-771



Tii Technologies Inc.

Corporate Headquarters:

141 Rodeo Drive
Edgewood, NY 11717

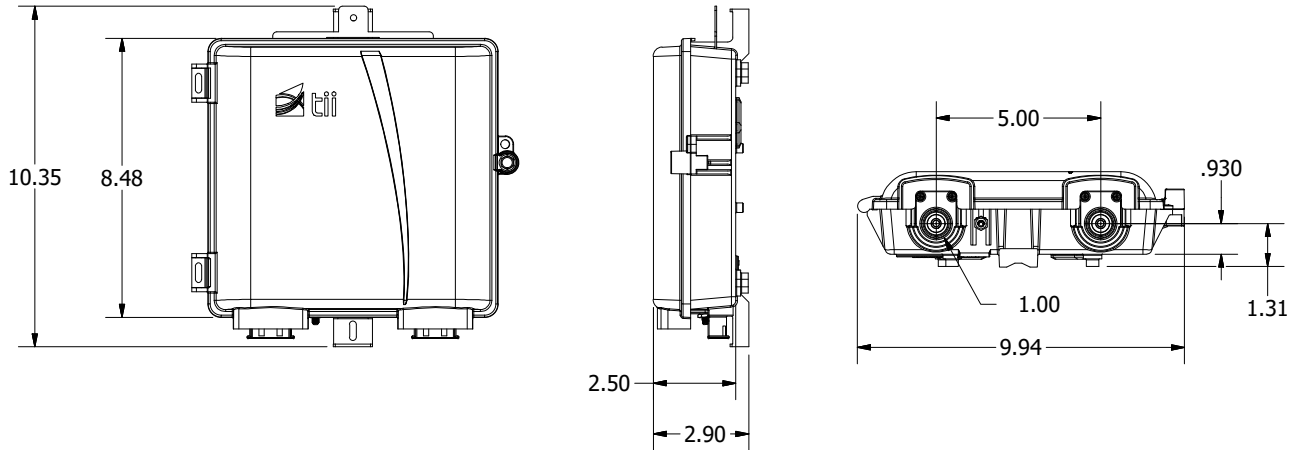
Phone: 631.789.5000

Fax: 631.789.5063

Toll Free: 888.844.4720

sales@tiitech.com

506F Series



Dimensions are in Inches

ORDERING INFORMATION

Model No.	Description	Standard Pkg.
506F-01-01-01-N	Fiber Interface Device 1 Port SC-APC	5 ea. 11"x11"x16" - 6.5 lbs.
506F-01-01-02-N	Fiber Interface Device 2 Port SC-APC	5 ea. 11"x11"x16" - 6.7 lbs.
506F-02-01-06-N	Fiber Interface Device 6 Port SC-APC	5 ea. 11"x11"x16" - 12 lbs.
506F-04-01-12-N	Fiber Interface Device 12 Port SC-APC	5 ea. 11"x11"x16" - 15 lbs.

CUSTOM MODEL NUMBER MATRIX

506F	-XX	-XX	-XX	-X	X
	Adapter Mounting Options	Adapter Type	# of Ports	Configuration Options	Grommets (Optional)
	01 = Fiber Plate (1, 2, or 4 adapters only) 02 = Fiber Plate (6 Adapters) 04 = Fiber Plate (12 Adapters)	01 = SC/APC 02 = SC/UPC 03 = LC/APC 04 = LC/UPC	01 = 1 02 = 2 04 = 4 06 = 6 12 = 12 24 = 24 (LC only)	N = None C = Cable Entry Clamp E = External Ground D = External Ground and Cable Entry Clamp Installed	None = 2 Standard Grommets C = 2 Conduit Grommets G = 1 Standard Grommet, 1 Conduit Grommet (1/2") P = 1 Conduit Grommet (1/2"), 1 Compression Grommet

ACCESSORIES

Model No.	Description	Standard Pkg.
FP01-01-01	Fiber Adapter Plate Slack Ring with SC-APC Adapter	50 ea. 8" x 9" x 23" - 5 lbs.
506F-GRM-KIT	Grommets for 506F Standard Grommet (2 ea.)	
506F-CMP-GRM-KIT	Grommets for 506F 1/2" Compression Entry (2 ea.)	
506F-CON-GRM-KIT1/2	Grommets for 506F 1/2" Conduit Entry (2 ea.)	
506F-CON-GRM-KIT3/4	Grommets for 506F 3/4" Conduit Entry (2 ea.)	
506F-OC	Hardened Fiber Connector Mounting Collar with Rubber Boot	
BKT-506F-OT	Mounting Bracket, Hardened Fiber Connector Compatible Adapter (not included)	

ADAPTER MOUNTING OPTIONS

