

## COYOTE® Dome Closure 9.5" x 19" and 9.5" x 28"

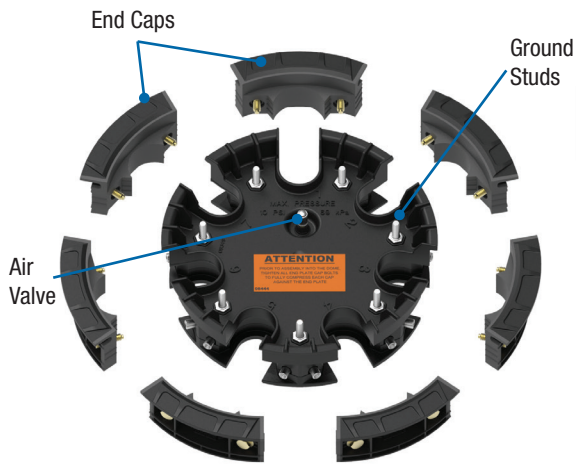
The **COYOTE 9.5" Dome Closure** offers two length options of 19" and 28" to support either buffer tube or ribbon fiber applications. These closures utilize PLP's patented segmented end plate design, which allows for easy installation of a variety of cable sizes in conjunction with the grommets.

### Features and Benefits

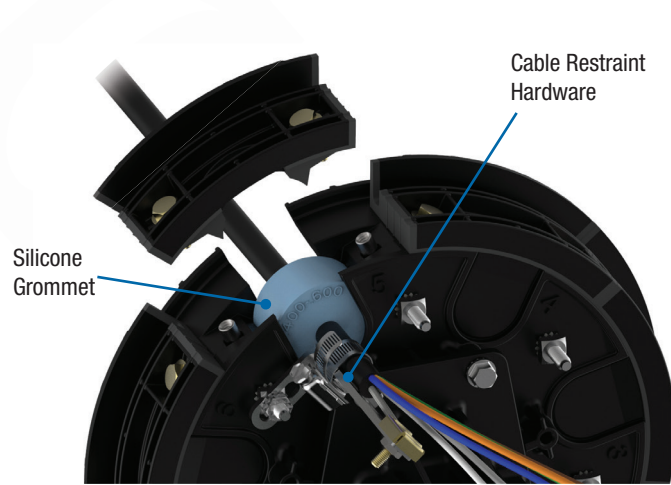
- 7-Port segmented end plate design provides independent access to each cable port without disrupting surrounding cables
- Tray design allows the removal from the stack to enable multiple splicers to work simultaneously
- Multiple tray designs support mass fusion splicing, single fusion splicing, or a combination of both
- Flexible grommet sealing technology supports a wide range of flat and round cable profiles
- Designed and tested in accordance to Telcordia® GR-771-CORE Buried, Underground, IP-68 Rated Requirements

## ▶ Patented Segmented End Plate

The COYOTE® 9.5" Dome Closure features PLP's patented segmented end plate system which allows independent access to each cable port without disrupting surrounding cables. The sealing system created by the compression of the end plate caps against the COYOTE silicone grommets is designed to provide a secure seal around a variety of cable profiles. This eliminates the need for scuffing, adhesives, and sealing tapes. The cable restraint hardware is designed to provide proper pull-out strength and restrict the strength member from pistoning inside the closure. All cable restraint hardware can be attached outside of the dome's footprint prior to entry into the end plate.

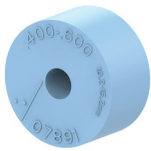


Patented Segmented End Plate Design



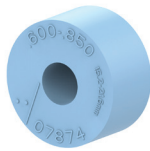
Exploded View of End Cap

## ▶ COYOTE® Silicone Grommets



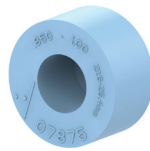
Catalog No: **8003691**

0.40" - 0.60"  
(10.2 - 15.2 mm)



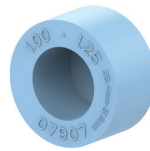
Catalog No: **8003692**

0.60" - 0.85"  
(15.2 - 21.6 mm)



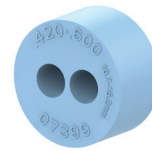
Catalog No: **8003693**

0.85" - 1.00"  
(21.6 - 25.4 mm)



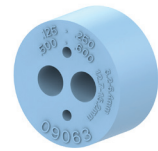
Catalog No: **8003694**

1.00" - 1.25"  
(25.4 - 31.8 mm)



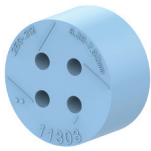
Catalog No: **8003663**

0.42" - 0.60"  
(10.7 - 15.2 mm)



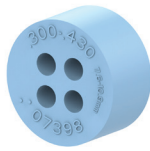
Catalog No: **8003990**

0.50" - 0.60"  
(12.7 - 15.2 mm)  
0.125" - 0.250"  
(3.2 - 6.4 mm) and  
Flat Drop



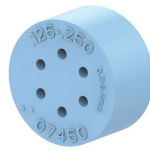
Catalog No: **8004065**

0.250" - 0.312"  
(6.4 - 7.9 mm)



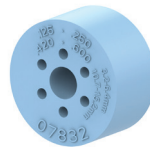
Catalog No: **8003664**

0.30" - 0.43"  
(7.6 - 10.9 mm)



Catalog No: **8003665**

0.125" - 0.250"  
(3.2 - 6.4 mm)  
and Flat Drop



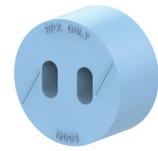
Catalog No: **8003676**

0.42" - 0.60"  
(10.7 - 15.2 mm)  
0.125" - 0.250"  
(3.2 - 6.4 mm) and  
Flat Drop



Catalog No: **8003677**

0.125" - 0.250"  
(3.2 - 6.4 mm) and  
Flat Drop



Catalog No: **8004122**

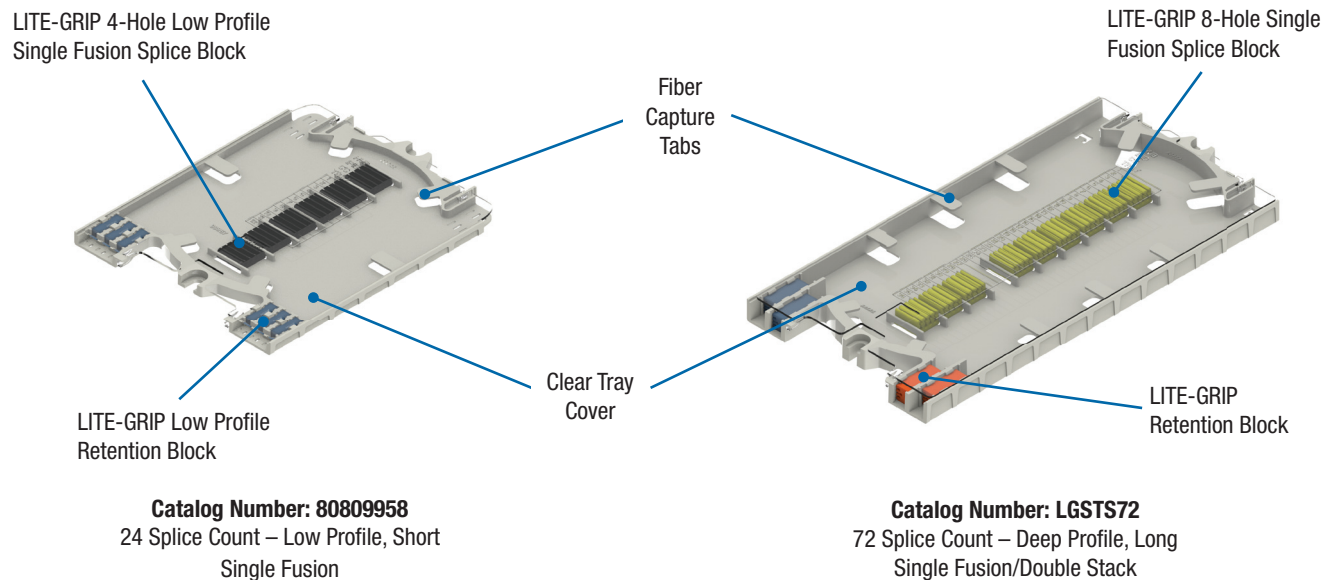
RPX Only

## ▶ COYOTE® LITE-GRIP® Splice Trays

The COYOTE® Splice Trays with LITE-GRIP® technology are specifically engineered to meet the challenging space requirements of the next generation of fiber networks by permitting large bend radii in a small package. The LITE-GRIP technology is designed to improve fiber management within the confines of the splice tray by providing a superior method for securing splice protectors, restraining fiber cable entering the splice tray, and organizing fiber. The unique component design makes installation and adjustment easier to manage, thus minimizing the potential for fiber damage while reducing labor time and cost.

### Features and Benefits

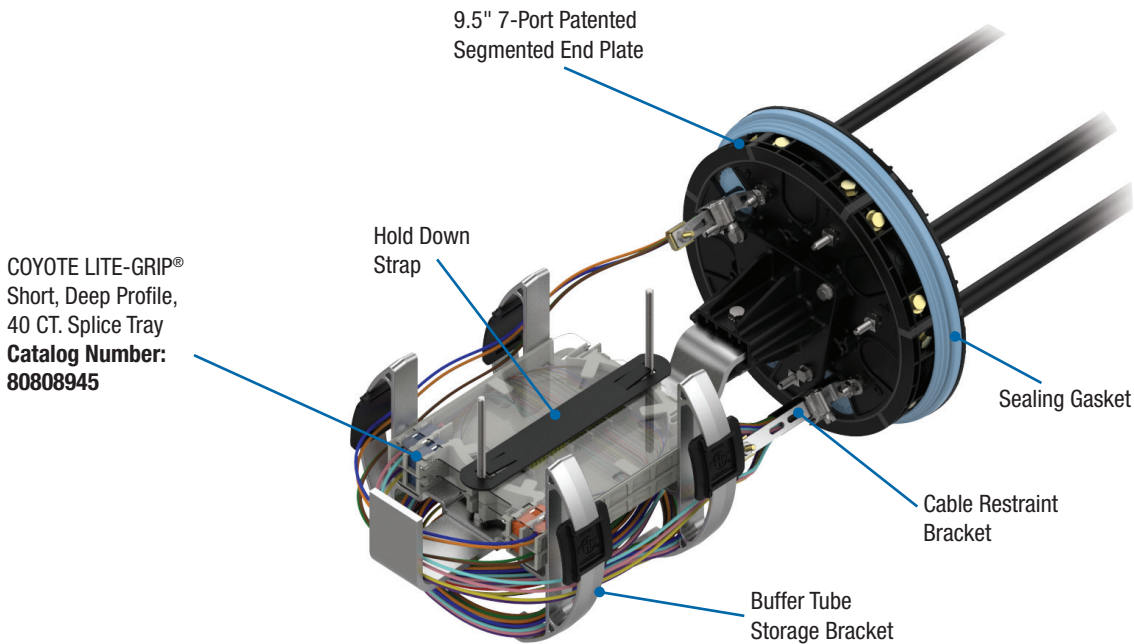
- LITE-GRIP Retention Sleeves are designed to grip buffer tubes, pigtails, or transport tubing without over compression during installation and eliminates the need for tie wraps, reducing installation time.
- LITE-GRIP Splice Blocks are produced with an advanced grip material designed to prevent splice movement during handling or vibration while increasing splicing density within the tray.
- LITE-GRIP Splice Blocks are available to accept single fusion, mass fusion or mechanical splice protectors and can be easily installed or removed.
- LITE-GRIP Splice Blocks for mass fusion are sized to accept PLC splitter components. Consult your PLP representative for more details.
- Short LITE-GRIP Trays are used in the COYOTE 9.5" x 19" Dome Closure and long LITE-GRIP Trays are used in the COYOTE 9.5" x 28" Dome Closure.



Splice Trays for the COYOTE 9.5" Dome Closures will come with a tray cover, felt tape, splice blocks, and LITE-GRIP retention sleeves.

## ► COYOTE® 9.5" x 19" Dome Closure

### Buffer Tube Application



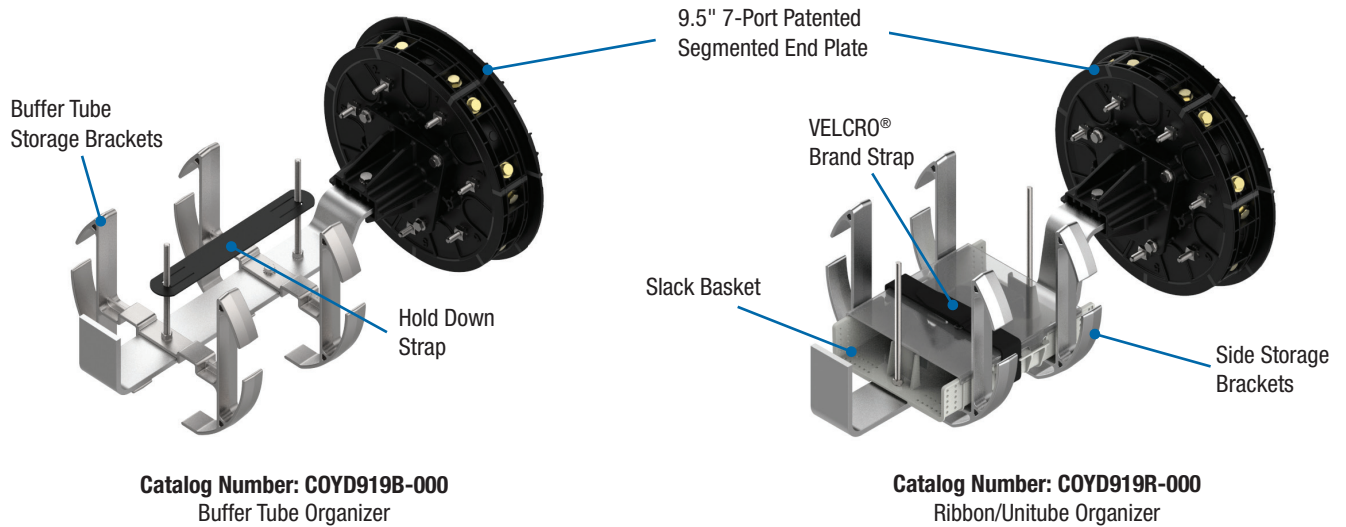
### Specifications

| Specifications   | Buffer  | Ribbon  |
|--|---|---|
| <b>Catalog Numbers</b>   | <b>COYD919B-000</b>   | <b>COYD919R-000</b>   |
| Splice Capacity (Maximum) – Single Fusion (Low Profile, 80809958), Single Fusion (Low Profile, 80813152), Single Fusion (Deep Profile, 80808945), Mass Fusion (Deep Profile, LGSTR144) | 288, 432, 240, N/A  | 288, 432, 240, 864  |
| Number of Splice Trays – 80809958, 80813152, 80808945, LGSTR144  | 12, 12, 6, N/A  | 12, 12, 6, 6  |
| Cable Ports <sup>1</sup>   | 7   | 7   |
| Cable Diameters  | 0.093" – 1.25" (2.4 – 31.8 mm) and Flat Drop                        | 0.093" – 1.25" (2.4 – 31.8 mm) and Flat Drop                        |
| Ground Studs   | 7   | 7   |
| Configuration  | Butt  | Butt  |
| Application  | Direct Bury, Below Grade, Pole/Wall, Aerial                         | Direct Bury, Below Grade, Pole/Wall, Aerial                         |
| Ingress Protection   | In accordance to Telcordia® GR-771-CORE, Buried, Underground; IP-68 | In accordance to Telcordia® GR-771-CORE, Buried, Underground; IP-68 |
| Size <sup>2</sup>  | 13.3" W x 20.4" L (338 x 509 mm)                                    | 13.3" W x 20.4" L (338 x 509 mm)                                    |

<sup>1</sup> Multi-hole grommets allow for more than one cable to enter each cable port.

<sup>2</sup> Outermost part of the assembly; includes the sealing collar.

## ► COYOTE® 9.5" x 19" Dome Closure Organizer Assemblies

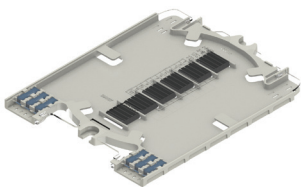


### COYOTE 9.5" x 19" Dome Closure Kit Contents

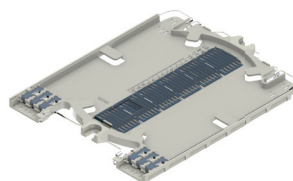
| Catalog Number | Description   |
|----------------|---|
| COYD919B-000   | COYOTE 9.5" x 19" Dome Closure for Buffer Tube – Includes (2) 1-Hole Grommets 0.60" – 0.85" (15.2 – 21.6 mm) and (2) 1-Hole Grommets 0.85" – 1.00" (21.6 – 25.4 mm)                       |
| COYD919R-000   | COYOTE 9.5" x 19" Dome Closure for Ribbon – Includes (2) 1-Hole Grommets 0.60" – 0.85" (15.2 – 21.6 mm), (2) 1-Hole Grommets 0.85" – 1.00" (21.6 – 25.4 mm) and (1) Transition Tubing Kit |

All kits include (1) COYOTE 9.5" End Plate with Organizer, (1) Dome, (1) Gasket, (4) 1-Hole Grommets and Cable Restraint Hardware (Splice Trays and Hanger Brackets Sold Separately).

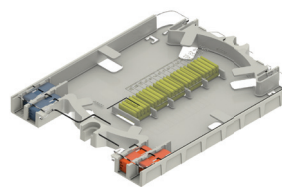
## ► COYOTE® LITE-GRIP® Short Splice Trays



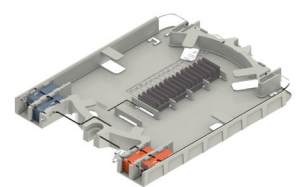
**Catalog Number: 80809958**  
Short – Low Profile  
Single Fusion  
24 Splice Count



**Catalog Number: 80813152**  
Short – Low Profile  
Single Fusion  
36 Splice Count



**Catalog Number: 80808945**  
Short – Deep Profile  
Single Fusion/Double Stack  
40 Splice Count

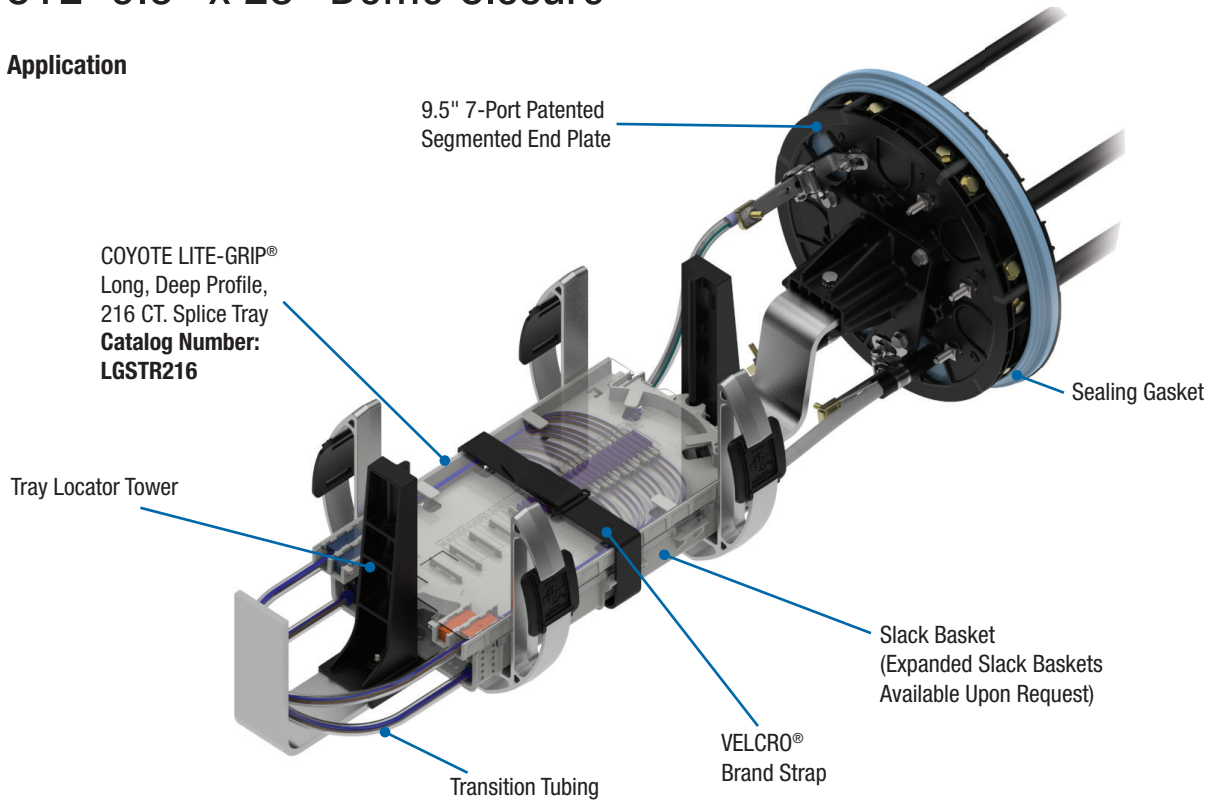


**Catalog Number: LGSTR144**  
Short – Deep Profile  
Ribbon/Mass Fusion  
144 Splice Count



## ▶ COYOTE® 9.5" x 28" Dome Closure

### Ribbon Application



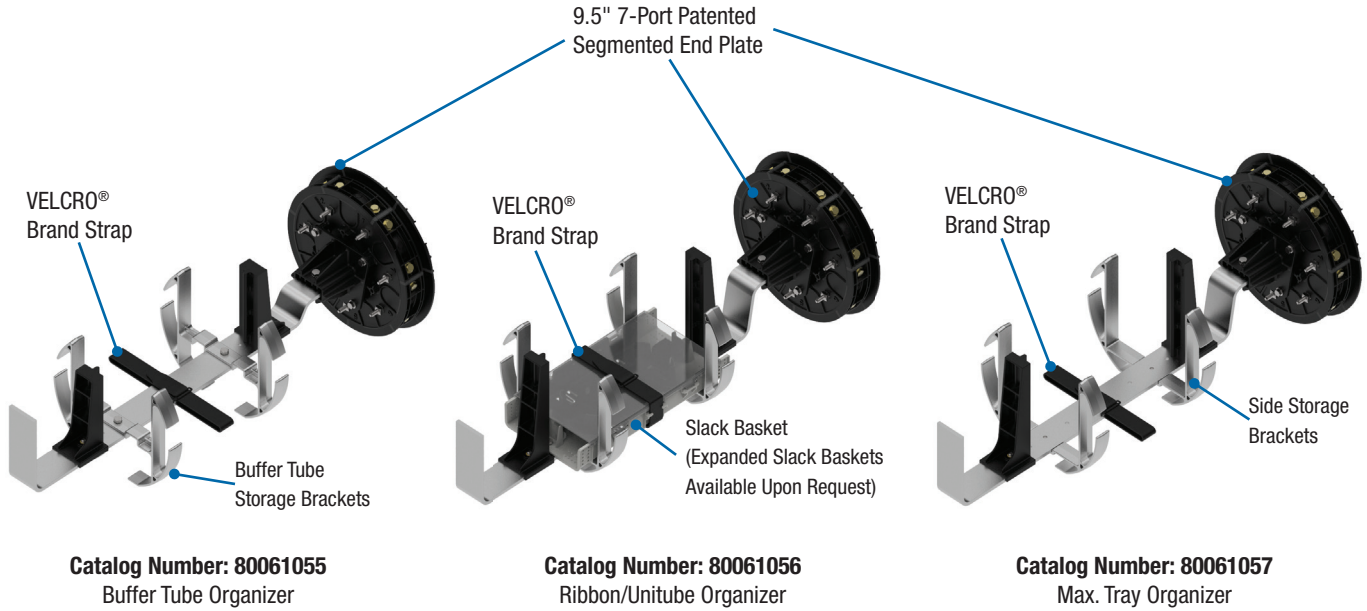
### Specifications

| Specifications  | Buffer  | Ribbon  | Max Tray  |
|---|---|---|---|
| <b>Catalog Numbers</b>  | <b>80061055</b>   | <b>80061056</b>   | <b>80061057</b>   |
| Splice Capacity (Maximum) – Single Fusion (Standard Profile, 80810086), Single Fusion (Deep Profile, LGSTS72), Mass Fusion (Deep Profile, LGSTR216) | 360, 432, N/A   | 396, 576, 1728  | 540, 720, 2160  |
| Number of Splice Trays – 80810086, LGSTS72, LGSTR216  | 10, 6, N/A  | 11, 8, 8  | 15, 10, 10  |
| Cable Ports <sup>1</sup>  | 7   | 7   | 7   |
| Cable Diameters   | 0.093" – 1.25" (2.4 – 31.8 mm) and Flat Drop                        | 0.093" – 1.25" (2.4 – 31.8 mm) and Flat Drop                        | 0.093" – 1.25" (2.4 – 31.8 mm) and Flat Drop                        |
| Ground Studs  | 7   | 7   | 7   |
| Configuration   | Butt  | Butt  | Butt  |
| Application   | Direct Bury, Below Grade, Pole/Wall, Aerial                         | Direct Bury, Below Grade, Pole/Wall, Aerial                         | Direct Bury, Below Grade, Pole/Wall, Aerial                         |
| Ingress Protection  | In accordance to Telcordia® GR-771-CORE, Buried, Underground; IP-68 | In accordance to Telcordia® GR-771-CORE, Buried, Underground; IP-68 | In accordance to Telcordia® GR-771-CORE, Buried, Underground; IP-68 |
| Size <sup>2</sup>   | 13.3" W x 29.4" L (338 x 749 mm)                                    | 13.3" W x 29.4" L (338 x 749 mm)                                    | 13.3" W x 29.4" L (338 x 749 mm)                                    |

<sup>1</sup> Multi-hole grommets allow for more than one cable to enter each cable port.

<sup>2</sup> Outermost part of the assembly; includes the sealing collar.

## ▶ COYOTE® 9.5" x 28" Dome Closure Organizer Assemblies

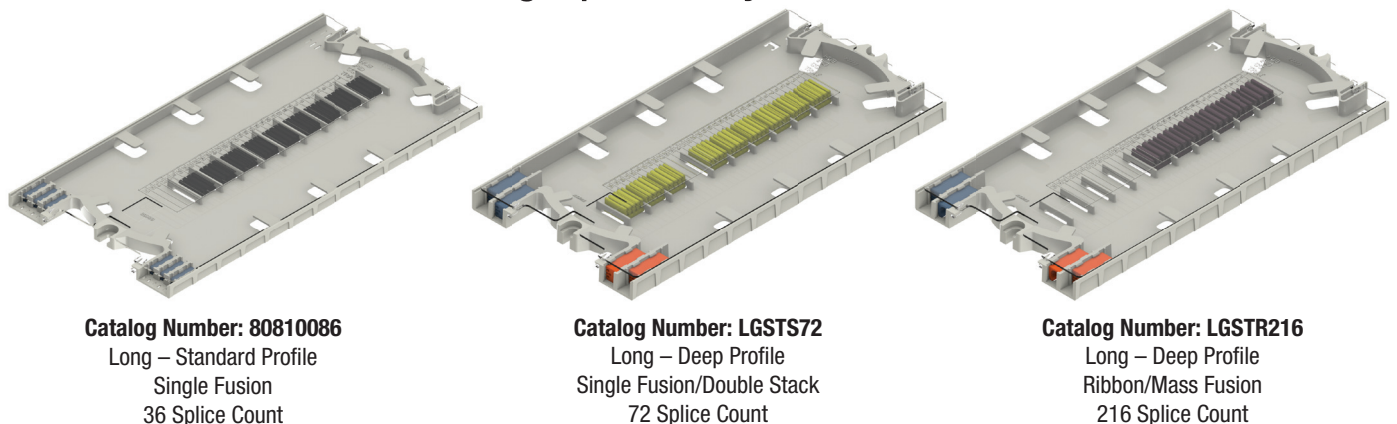


### COYOTE 9.5" x 28" Dome Closure Kit Contents

| Catalog Number | Description   |
|----------------|---|
| 80061055       | COYOTE 9.5" x 28" Dome Closure for Buffer Tube – Includes (2) 1-Hole Grommets 0.60" – 0.85" (15.2 – 21.6 mm), and (2) 1-Hole Grommets 0.85" – 1.00" (21.6 – 25.4 mm)  |
| 80061056       | COYOTE 9.5" x 28" Dome Closure for Ribbon – Includes (2) 1-Hole Grommets 0.60" – 0.85" (15.2 – 21.6 mm), (2) 1-Hole Grommets 0.85" – 1.00" (21.6 – 25.4 mm), (1) Transition Tubing Kit, and (2) Transport Tubing Kits |
| 80061057       | COYOTE 9.5" x 28" Dome Closure for Buffer Tube – Includes (2) 1-Hole Grommets 0.60" – 0.85" (15.2 – 21.6 mm), and (2) 1-Hole Grommets 0.85" – 1.00" (21.6 – 25.4 mm)  |

All kits include (1) COYOTE 9.5" End Plate with Organizer, (1) Dome, (1) Gasket, (4) 1-Hole Grommets and Cable Restraint Hardware (Splice Trays and Hanger Brackets Sold Separately).

## ▶ COYOTE® LITE-GRIP® Long Splice Trays



## ▶ COYOTE® 9.5" Dome Closure Accessories and Mounting Brackets

### COYOTE 9.5" Dome Closure Accessories

| Catalog Number | Description  |
|----------------|--|
| 80809958       | Splice Tray, COYOTE LITE-GRIP® Short, Low Profile, 24 CT., Single Fusion       |
| 80813152       | Splice Tray, COYOTE LITE-GRIP Short, Low Profile, 36 CT., Single Fusion        |
| 80808945       | Splice Tray, COYOTE LITE-GRIP Short, Deep Profile, 40 CT., Single Fusion       |
| LGSTR144       | Splice Tray, COYOTE LITE-GRIP Short, Deep Profile, 144 CT., Mass Fusion        |
| 80810086       | Splice Tray, COYOTE LITE-GRIP Long, Standard Profile, 36 CT., Single Fusion    |
| LGSTS72        | Splice Tray, COYOTE LITE-GRIP Long, Deep Profile, 72 CT., Single Fusion        |
| LGSTR216       | Splice Tray, COYOTE LITE-GRIP Long, Deep Profile, 216 CT., Mass Fusion         |
| 8004160        | Heat Shrink Splice Protector Kit – Includes (50) 40 mm Mass Fusion             |
| 8004095        | Heat Shrink Splice Protector Kit – Includes (50) 40 mm Single Fusion           |
| 8003717        | Heat Shrink Splice Protector Kit – Includes (50) 60 mm Single Fusion           |
| 80061335       | Deep Slack Basket (2.05" Deep) Kit for up to 576 Expressed Ribbon Applications |
| 80061495       | Deep Slack Basket (2.85" Deep) Kit for up to 864 Expressed Ribbon Applications |
| COYEPFIX1      | End Plate Assembly Fixture for 6.5" and 9.5" Domes                             |
| 80812608       | End Plate Gasket for 9.5" Domes  |
| 80808528-1     | Latching Collar for 9.5" Domes   |
| 80061201       | Breakaway Bonding Plate for 9.5" Domes   |
| 80809205       | Strength Member Bracket Kit – Includes (2) Short L-Brackets                    |
| 800015236      | Strength Member Bracket Kit – Includes (3) Long L-Brackets and (3) Hose Clamps |
| 80808651       | Strength Member Bracket Kit – Includes (4) Long L-Brackets                     |
| 80808878       | Large Strength Member Adapter Kit  |
| 80811037       | 4-Port Cable Retention Bobbin Kit  |
| 80811036       | 6-Port Drop Cable Retention Bobbin Kit   |
| 80812928       | 6/8-Port Drop Cable Retention Bobbin Kit                                       |

### COYOTE 9.5" Dome Closure Mounting Brackets

| Catalog Number | Description   |
|----------------|---|
| 8003940        | Aerial Mounting Bracket – Strand Applications                   |
| 8004037        | Aerial Adjustable Offset Mounting Bracket – Strand Applications |
| 8003869        | Aerial Mounting Bracket – ADSS Applications                     |
| 8004038        | Aerial Adjustable Offset Mounting Bracket – ADSS Applications   |
| 8003942        | Pole/Wall Mounting Bracket                                      |
| 8003835        | Universal Mounting Bracket – Handhole Applications              |
| 8003941        | Aerial Mounting Bracket – End Plate Mounting Applications       |
| 8004003        | Manhole Support Bracket   |