

Table of Contents

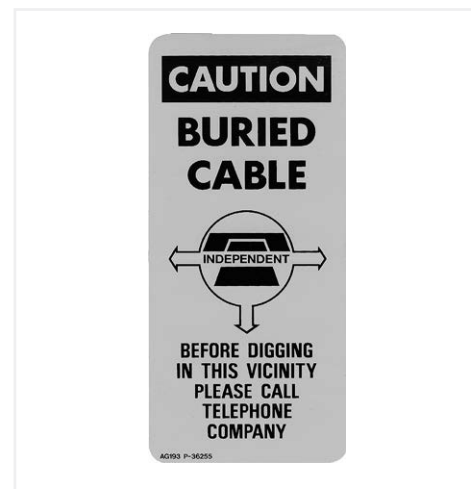
Table of Contents	2
Decals	3
Locking Devices	3
UPCBD Series Pedestal Mounting Plates	4
TV Series Pedestal Mounting Bracket	5
Ground Bracket Kits	6
Grounding/Bonding Straps	7
Grounding/Bonding Lugs	7
Grommets	8
Miscellaneous	8
Pad-Mounting Brackets	9
Pole Mounting Brackets	9
MS Single-Mount Stakes	10
Mounting Posts	11
Cable Guards	12
One-Pair Testers for Cross-Connect Terminals	13
RLS Activators	14
Special Service Caps	14
Spray Paint	15

DECALS

Ordering Information & Dimensions

Catalog Number	Part Number	Description	Height	Width
UP35MY	F600080	Caution buried cable decal, Independent, black on yellow, RUS accepted (10 pk)	6"	3"

Note: Our adhesive backed pressure sensitive decals are made of vinyl or Mylar with silk-screened print used for identifying equipment closures.



UP35MY

LOCKING DEVICES



TF75
1/4-20 CUP SEMS Bolt

Ordering Information

Catalog Number	Part Number	Description	Usage
TF75	F600490	1/4-20 x 51/64 with cupped washer around hex head, mounting bracket and key sold separately	Most telephone pedestals
TVHASP	F605887	TVHASP replacement hasp (10/pkg)	TV40, TV60LP, TV80, TV710, and TV104
38	F003205	216-Type "can wrench", hex key. Color may vary.	Finger-type wrench has hex end for 3/8" and 7/16" deep sockets. Ends for use on pedestals, cabinets and cross-connects.
P29732	F529732	T-handle tamper-proof wrench, 5/16 hex-wrench with 15 diameter bolts in recess both ends, 1 per package	Red handle wrench used on tamper-proof cross-connect cabinets, MESA®, and CATV enclosures



38
Can Wrench



TVHASP
Replacement Hasp



P29732
T-Handle Tamper-Proof Wrench

UPCBD SERIES PEDESTAL MOUNTING PLATES

Ordering Information

Catalog Number	Part Number	Description	Usage
BDURBKIT	F1011120	Accessory mounting bracket kit for optical or copper terminal blocks	UPCBD3, 4 and 5 closures
SB234	F604110	Stand-off bracket for terminal blocks and load-coil mounting Term Blocks, 281, 283, 381, 383, 145 and RPT A-Line Series	UPCBD2, UPCBD3, and UPCBD4-series closures, RUS accepted
SL1200	F602420	Splice support bars, 1 pkg, 1 lb.	UPC1200 and UPCBD7 series closures

* Above plates used for mounting BT25 or RLS25 blocks (three per plate), load coils, and repeaters. The HIACT100 has two plates per kit, and the HIACT300 has three plates per kit.



BDURBKIT



SB234
Stand-Off Bracket

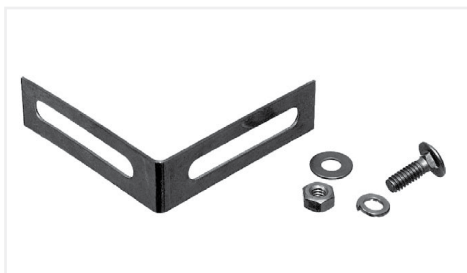


SL1200
Splice Support Bars

TV SERIES PEDESTAL MOUNTING BRACKETS

Ordering Information

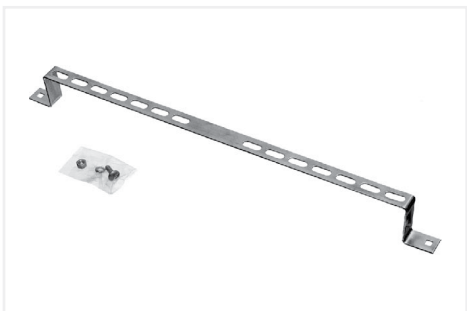
Catalog Number	Part Number	Description	Usage
L	F601980	3" equipment mounting bracket with hardware, 1 per package	TV40, TV60, TV80, TV104, and TV106
OS	F606793	Off-set equipment mounting bracket with hardware, 1 per package	TV40, TV60, TV80, TV104, and TV106
AS	F603230	Equipment mounting bracket with hardware, 1 per package	TV80, TV104, and TV106
SM	F603240	Painted cross-slot mounting plate with hardware, 14-3/4" high x 5" wide, 1 per package	TV80, TV104, and TV106
LM	F603220	Large painted cross-slot mounting plate with hardware, 1 per package	TV106



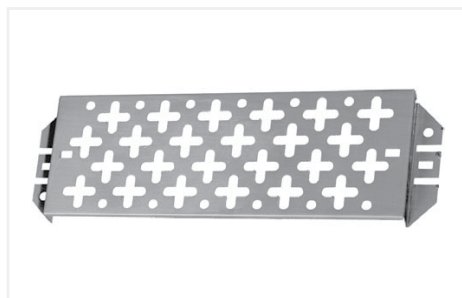
L
Mounting Bracket



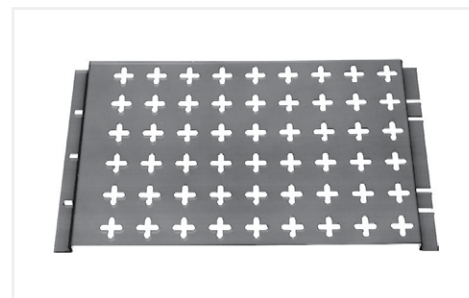
OS
Mounting Bracket



AS
Mounting Bracket

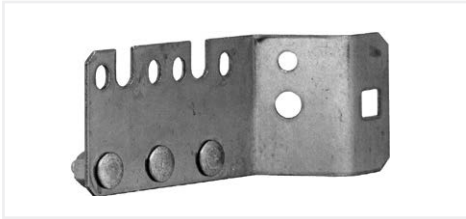


SM
Mounting Plate

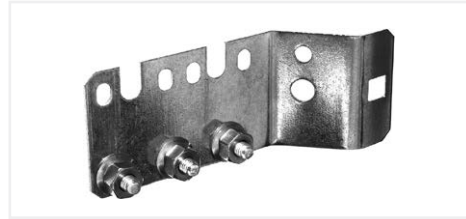


LM
Mounting Plate

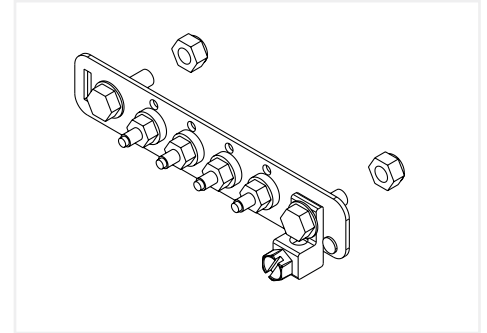
GROUND BRACKET KITS



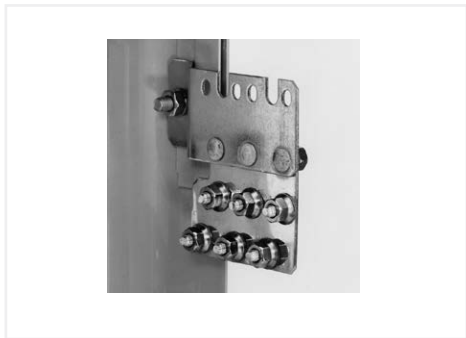
GBRBD2
Ground Bracket Kit



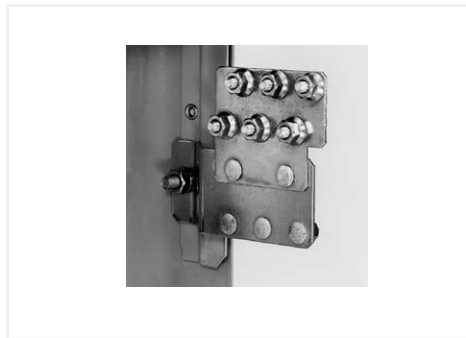
GBRREA
Ground Bracket Kit



PROGENDKIT
4-Position Ground Bar Kit



GBREXT
Stud-Mount Extension Bracket



GRDEXTKIT
Channel-Mount Extension Bracket

Ordering Information

Catalog Number	Part Number	Description	Usage
GBRBD2	F605113	Ground bracket kit	UPCBD2
GBRREA*	F605112	Ground bracket kit	UPCBD3, 4, and 5 closures, RUS accepted
PROGENDKIT	F1007704	4-position ground bar kit	ProFORM™ pedestals
GBREXT	F605114	Stud-mount extension bracket. Install below isolation bracket.	All pedestal closures that use standard shield isolation brackets except for UPCBD2
GRDEXTKIT	F605115	Channel-mount extension bracket. Install above insolation bracket.	All pedestal closures that use standard shield isolation brackets except for UPCBD2

* Replaces GBRUPCBD. Install with existing mounting hardware. Additional mounting hardware, Catalog Number P39869, may be ordered separately.

** P36790 bracket is used for field rehab when changing from existing series bonding/grounding to shield isolation style.

GROUNDING/BONDING STRAPS



P41219
Tin Plated Bond Braid Strap



P51865
Copper Ground Wire Strap

Ordering Information

Catalog Number	Part Number	Description	Usage
P41219	F541219	6 AWG tin plated bond braid, round, flexible, 14" long with .205 diameter mounting holes for #10 screws	All closures
P51865	F551865	Solid 6 AWG copper ground wire, 20" long with .203 diameter mounting holes for #10 screws, 20 per package	All closures

GROUNDING/BONDING LUGS



ALP387
Bonding/Grounding
Connector



UP5006
Fargo Ground
Connector



TVSTDGLK
Ground Lug Kit



P43197
Bonding Clamp

Ordering Information

Catalog Number	Part Number	Description	Usage
ALP387*	F605130	Bronze, electro-tin plate, hex-head bonding/grounding connector	All closures and UPCBD series closures for RUS, UL 486A, and UL 467
UP5006**	F600021	Fargo ground connector	All closures
TVSTDGLK	F605884	Ground lug kit for classic style pedestals, 1 per package	TV40, TV60LP, TV80, TV104, TV106, and TV710
P43197***	F543197	"C" Service (drop) wire cable shield bonding clamp	All closures, 50 per package

* Above lugs for use in system grounding using 6AWG solid ground wire.

** Above lug for use with shielded service wire.

*** For use on shielded or unshielded service wire.

GROMMETS



SWG & SWGB
Rubber Service Wire Grommet

Ordering Information

Catalog Number	Part Number	Description	Usage
SWG*	F600270	Green 3/4" rubber service wire grommet, 50 per pkg, 1 lb.	All closures
SWGB*	F600269	Black 3/4" rubber service wire grommet, 50 per pkg, 1 lb.	All closures

* Temporary service-wire grommet.

MISCELLANEOUS



P20229X
Wire Grooming Clip

Ordering Information

Catalog Number	Part Number	Description	Usage
P20229X	F600271	3/4" wire grooming clip for .250 square hole	Mounting plates in many pedestals, WP, RNV, OBT, MC10, BET, BEF, LC cross-connect, ONUs and R366 & 2391 protected connectors and blocks

* For use when stake mounting knockout has been removed and not used.

PAD-MOUNTING BRACKETS



PADMT200300
Pad-Mounting Bracket Kit

Ordering Information

Catalog Number	Part Number	Description	Usage
PADMT200300	F605650	Pad-mounting bracket kit for surface mounting on top of pad	UPCBDS200, UPCBDS300, UPCBD7, UPC1200 series, TV2400, TV2500, OPFOTV7, OPFOTV8, ECQF/ERLS series closures, RUS accepted

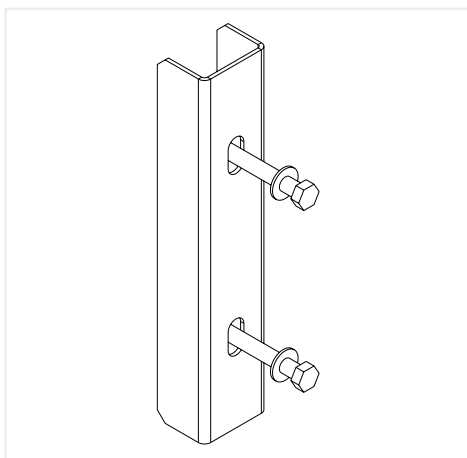
POLE MOUNTING BRACKETS



PKGPM
Mounting Hardware

Ordering Information

Catalog Number	Part Number	Description
PKGPM	F602780	Metal pole-mounting hardware for all closures, RUS accepted
PROPOLEMTG	F1007865	Metal pole-mounting bracket for ProForm pedestals



PROPOLEMTG
Pole-Mounting Bracket

MS SINGLE-MOUNT STAKES



MS13 Series
Single-Mount Stake

Ordering Information

Catalog Number	Part Number	Description	Usage
Single Mount Stakes			
MS1324	F603272	24" stake with hardware, green	Pedestals and closures
MS1332	F602132	32" stake with hardware, green	Pedestals
MS1342	F604080	42" stake with hardware, green	Pedestals and closures, RUS accepted
Stake Mounting Equipment and Hardware			
UPCBDHDW	F601410	Standard stake mounting hardware	MS1324, MS1332, MS1342, MS1354 stakes, RUS accepted



UPCBDHDW
Standard Stake Mounting Hardware

MOUNTING POSTS

Description

The mobile home post (MHP) is a heavy-gauge three position U-shaped channel post on which a 3.5 x 20.0-inch adjustable multi-position mounting plate is attached. The mounting plate provides universal mounting slots that will accept a variety of Network Interface Devices and station protectors. The elongated oval service wire holes help eliminate any sharp bending of service wires as they exit from behind the mounting plate to the protector unit. The slots provided in the channel posts are used for cable ties to help secure service wires inside the U-shaped channel.

The PMP posts are designed for mounting one or two-pair station protection. The posts are manufactured of heavy gauge mill-galvanized steel, treated with a unique gray-green finishing process for longer life.

Application

The MHP is designed for mounting one or more Network Interface Device or station protector in mobile home parks or anywhere a mobile home trailer is used and buried service wires are used to provide telephone or CATV service. This design replaces our two current mounting posts.

Ordering Information

Catalog Number	Part Number	Description
MHP	F602202	Multi-position mobile home post, adjustable to 36.5", 42.5" and 48.5"
MHP36	F602190	36" fixed position mobile home post
MHP48	F602200	48" fixed position mobile home post
PMP38	F604370	Protector mounting post, 38", 3" x 5-1/2" mounting plate
PMP50	F604380	Protector mounting post, 50", 3" x 5-1/2" mounting plate

Note: MHP will mount one and two pair station protectors and the following network interface devices (NIDs): Keptel Series SNI 1100/1200, 2100/2200, 4300, 4600, 4600xl - Seicor Series SNI CAC900, 7600, 9600, MLP600, NI2006, ONI200 - Joslyn Series 7005, 7032, 7090 - TII Series 3610H, 3710H



MHP
Mobile Home Post



PMP
Protector Mounting Post

CABLE GUARDS

Key Features

- Flanged edges do not require additional brackets for installation for greater ease of use and installation.
- Available in convenient sizes for application flexibility and ease of installation.
- Direct mounting for extended protection.
- Made of heavy gauge steel for durability and low maintenance costs.
- Provided with our proprietary gray-green paint for longer life.

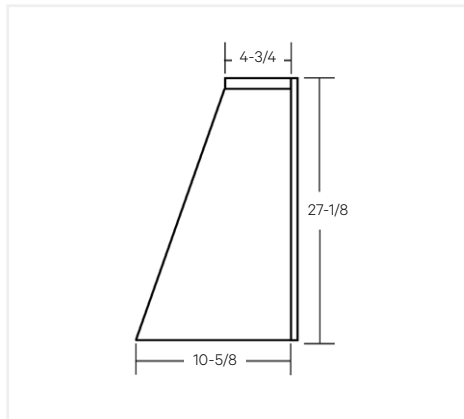
Description

U-Guards are strapless flanged u-shaped cable guards, manufactured of heavy gauge steel, with a gray-green finish and .312 x .438 slotted mounting holes. Sold in packages of five.

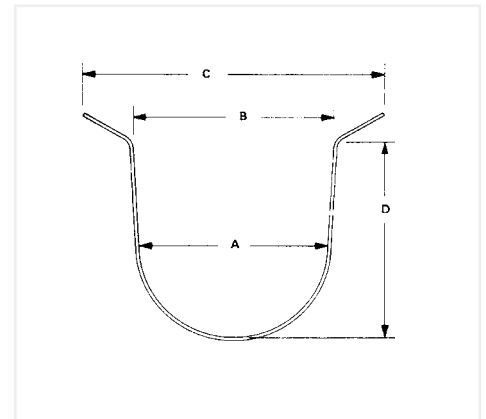
Application

U-Guards protect cable mounted along a wall or pole and splice points.

Diagrams



Boot Riser Guard



Metal U-Guard

Ordering Information

Catalog Number	Part Number	Description
UGBG	F601710	Boot riser guard
Steel U-Guards		
UP758G	F601550	3/4" ID x 8', green finish
UP1258G	F601570	1-1/4" ID x 8', green finish
UP2258G	F601590	2-1/4" ID x 8', green finish
UP3258G	F601610	3-1/4" ID x 8', green finish
UP3758G	F601630	3-3/4" ID x 8', green finish



UP3758G
Steel U-Guard



UGBG
Boot Riser Guard

ONE-PAIR TESTERS FOR CROSS-CONNECT TERMINALS

Key Features

- Identical to original tester for easy replacement.
- Pocket tester contains ring terminals to allow easy connection to handset; is quicker and easier than attaching handset to talk block at disk on door.

Description

Our one-pair testers allow electrical access to an individual pair in a 25-pair BT, 50-pair CQF, or RLS blocks used in any of the interface terminals manufactured by Vertiv. The testers with leads can replace those in the cross-connect terminal, and the pocket tester is convenient for craftspeople to carry.

Ordering Information

Catalog Number	Part Number	Description
P22368	F522368	One-pair tester with 5' leads for BT 25-pair block
P62632	F562632	One-pair pocket tester for BT 25-pair block
P33392	F533392	One-pair tester with 5' leads for CQF 50-pair block
P62633	F562633	One-pair pocket tester for CQF 50-pair block
RLSTEST1	F019128	One-pair tester with 5' leads for RLS block and 3M® SS-25
RLSTEST1PKT	F019127	One-pair pocket tester for RLS block and 3M® SS-25



P62632
One-Pair BT Pocket Tester



P62633
One-Pair CQF Pocket Tester



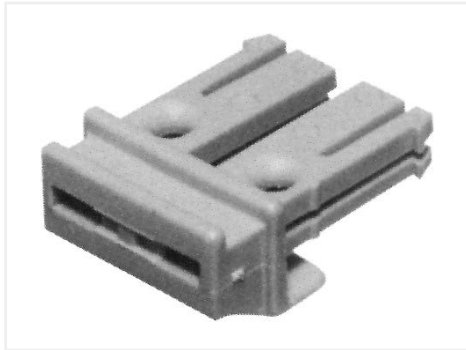
RLSTEST1
RLS Block One-Pair Tester

RLS ACTIVATORS

Ordering Information

Catalog Number	Part Number	Description	Usage
RLS Activators			
RLSACTGRAY10	F567272	Gray	10

* For performing dual terminations on RLS blocks.



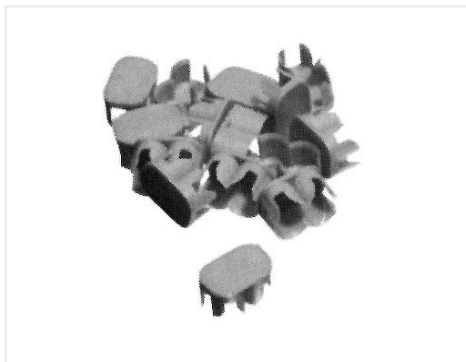
RLSACT Series
RLS Activator

SPECIAL SERVICE CAPS

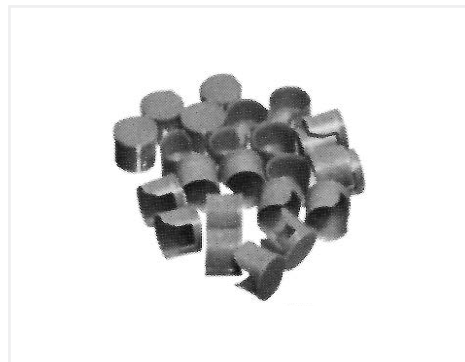
Ordering Information

Catalog Number	Part Number	Description	Usage
P25441	F525441	BT25 special service caps	50
P38220	F538220	CQF50 special service caps	50
P53828	F553828	RLS50 special service caps	80

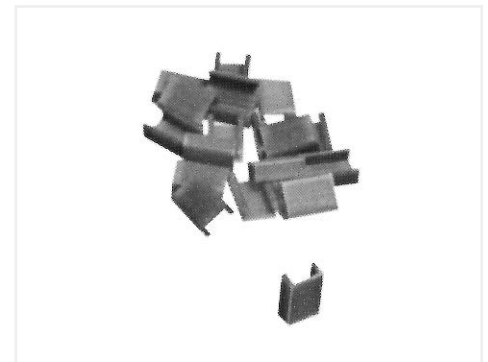
Note: Special service caps are used to identify special circuits on cross-connect blocks and/or terminal blocks.



P38220



P25441



P53828

SPRAY PAINT



TU20
Spray Paint

Ordering Information

Catalog Number	Part Number	Description	Usage
TU17*	F600540	Gray-green spray paint	All closures
TU20*	F600571	Beige spray paint	All closures
TU27*	F600556	Off-white glossy spray paint	All closures
P90370	F590370	Small bottle, off-white touch-up paint with brush	All off-white closures (can ship air)

* Cannot ship via air.



Vertiv.com | Vertiv Headquarters, 1050 Dearborn Drive, Columbus, OH, 43085, USA

© 2021 Vertiv Group Corp. All rights reserved. Vertiv™ and the Vertiv logo are trademarks or registered trademarks of Vertiv Group Corp. All other names and logos referred to are trade names, trademarks or registered trademarks of their respective owners. While every precaution has been taken to ensure accuracy and completeness here, Vertiv Group Corp. assumes no responsibility, and disclaims all liability, for damages resulting from use of this information or for any errors or omissions. Specifications, rebates and other promotional offers are subject to change at Vertiv's sole discretion upon notice.

OE-15000 (R07/21)