



## COYOTE® Dome Closure 6.5" x 17" and 6.5" x 22"

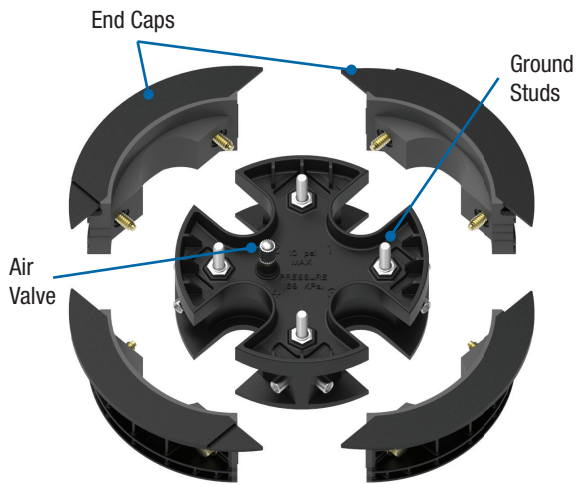
The **COYOTE 6.5" Dome Closure** offers two length options of 17" and 22" to support either buffer tube or ribbon fiber applications. These closures utilize PLP's patented segmented end plate design, which allows for easy installation of a variety of cable sizes in conjunction with the grommets. This segmented end plate design also allows for ease of upgrading to a larger size if your network continues to grow.

### Features and Benefits

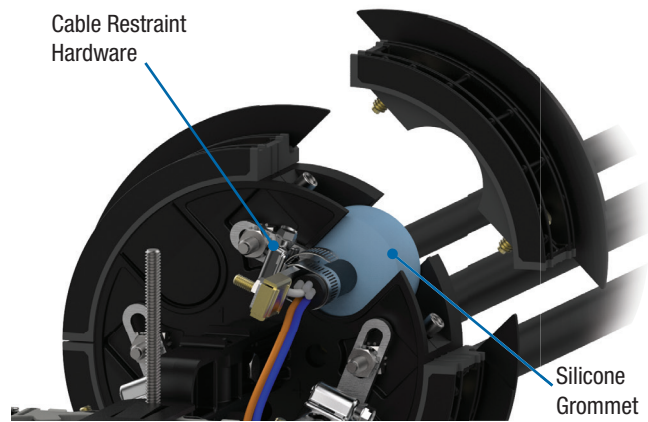
- 4-Port segmented end plate design provides independent access to each cable port without disrupting surrounding cables
- Tray design allows the removal from the stack to enable multiple splicers to work simultaneously
- Multiple tray designs support mass fusion splicing, single fusion splicing, or a combination of both
- Flexible grommet sealing technology supports a wide range of flat and round cable profiles
- Quick to assemble, no special tools required
- Flame retardant kits available
- Designed and tested in accordance to Telcordia® GR-771-CORE Buried, Underground, IP-68 Rated Requirements

## ▶ Patented Segmented End Plate

The COYOTE® 6.5" Dome Closure features PLP's patented segmented end plate system which allows independent access to each cable port without disrupting surrounding cables. The sealing system created by the compression of the end plate caps against the COYOTE silicone grommets is designed to provide a secure seal around a variety of cable profiles. This eliminates the need for scuffing, adhesives, and sealing tapes. The cable restraint hardware is designed to provide proper pull-out strength and restrict the strength member from pistoning inside the closure. All cable restraint hardware can be attached outside of the dome's footprint prior to entry into the end plate.

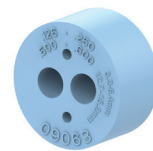
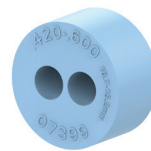
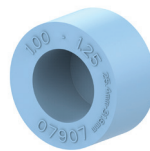
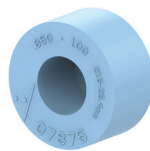
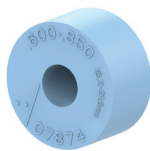
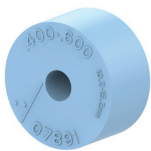


Patented Segmented End Plate Design



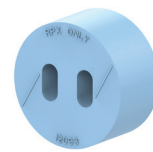
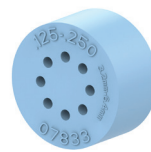
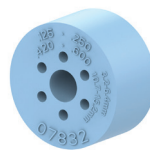
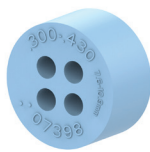
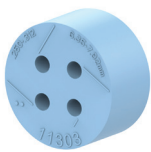
Exploded View of End Cap

## ▶ COYOTE® Silicone Grommets



Catalog No:	8003691	8003692	8003693	8003694	8003663	8003990
	0.40" - 0.60" (10.2 - 15.2 mm)	0.60" - 0.85" (15.2 - 21.6 mm)	0.85" - 1.00" (21.6 - 25.4 mm)	1.00" - 1.25" (25.4 - 31.8 mm)	0.42" - 0.60" (10.7 - 15.2 mm)	0.50" - 0.60" (12.7 - 15.2 mm)

0.125" - 0.250"  
(3.2 - 6.4 mm) and  
Flat Drop



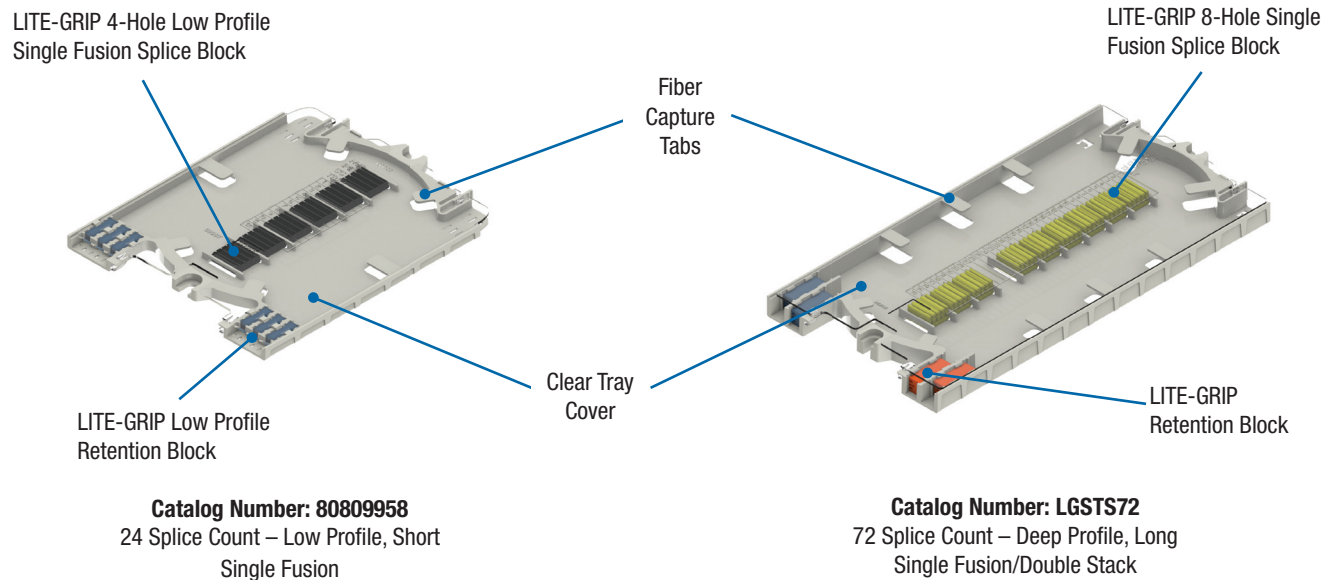
Catalog No:	8004065	8003664	8003665	8003676	8003677	8004122
	0.250" - 0.312" (6.4 - 7.9 mm)	0.30" - 0.43" (7.6 - 10.9 mm)	0.125" - 0.250" (3.2 - 6.4 mm) and Flat Drop	0.42" - 0.60" (10.7 - 15.2 mm) 0.125" - 0.250" (3.2 - 6.4 mm) and Flat Drop	0.125" - 0.250" (3.2 - 6.4 mm) and Flat Drop	RPX Only

## ▶ COYOTE® LITE-GRIP® Splice Trays

The COYOTE® Splice Trays with LITE-GRIP® technology are specifically engineered to meet the challenging space requirements of the next generation of fiber networks by permitting large bend radii in a small package. The LITE-GRIP technology is designed to improve fiber management within the confines of the splice tray by providing a superior method for securing splice protectors, restraining fiber cable entering the splice tray, and organizing fiber. The unique component design makes installation and adjustment easier to manage, thus minimizing the potential for fiber damage while reducing labor time and cost.

### Features and Benefits

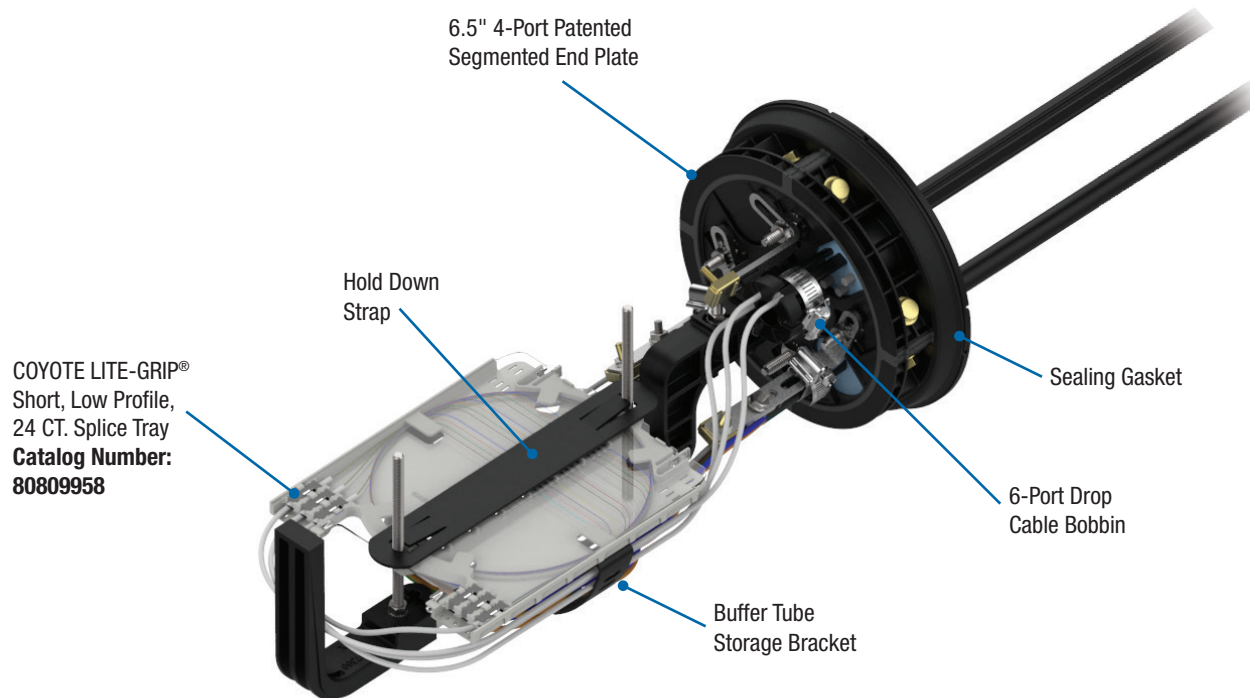
- LITE-GRIP Retention Sleeves are designed to grip buffer tubes, pigtails, or transport tubing without over compression during installation and eliminates the need for tie wraps, reducing installation time.
- LITE-GRIP Splice Blocks are produced with an advanced grip material designed to prevent splice movement during handling or vibration while increasing splicing density within the tray.
- LITE-GRIP Splice Blocks are available to accept single fusion, mass fusion or mechanical splice protectors and can be easily installed or removed.
- LITE-GRIP Splice Blocks for mass fusion are sized to accept PLC splitter components. Consult your PLP representative for more details.
- Short LITE-GRIP Trays are used in the COYOTE 6.5" x 17" Dome Closure and long LITE-GRIP Trays are used in the COYOTE 6.5" x 22" Dome Closure.



Splice Trays for the COYOTE 6.5" Dome Closures will come with a tray cover, felt tape, splice blocks, and LITE-GRIP retention sleeves.

## ▶ COYOTE® 6.5" x 17" Dome Closure

### Buffer Tube Application



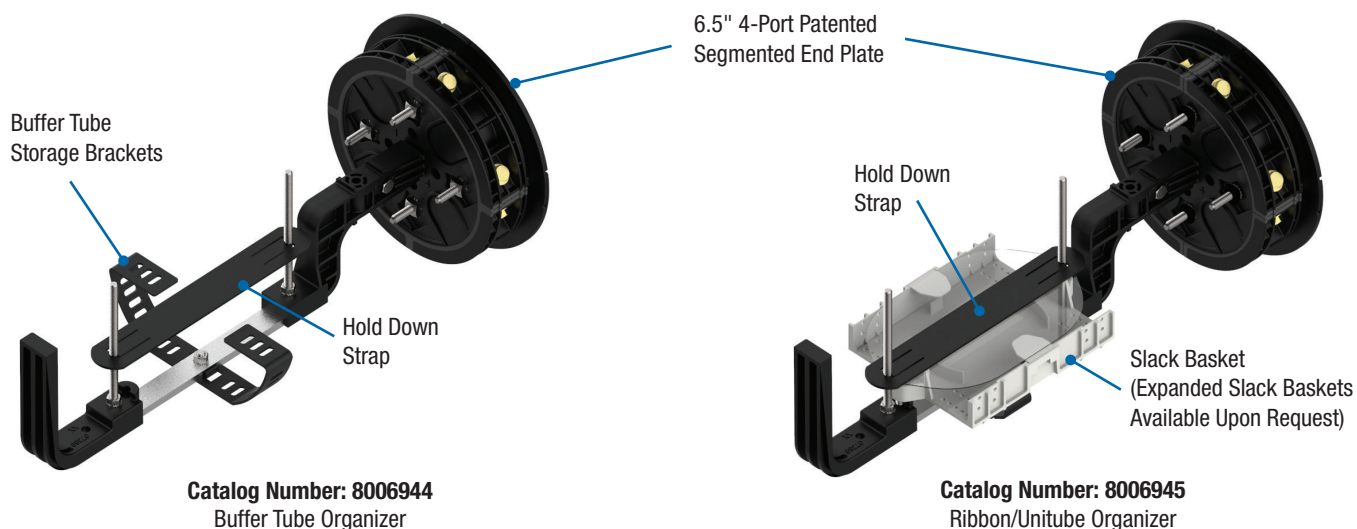
### Specifications

	Buffer	Ribbon
<b>Catalog Numbers</b>	<b>8006944</b>	<b>8006945</b>
Splice Capacity (Maximum) – Single Fusion (Low Profile, 80809958), Single Fusion (Low Profile, 80813152), Single Fusion (Deep Profile, 80808945), Mass Fusion (Deep Profile, LGSTR144)	144, 216, 120, N/A	144, 216, 120, 432
Number of Splice Trays – 80809958, 80813152, 80808945, LGSTR144	6, 6, 3, N/A	6, 6, 3, 3
Cable Ports <sup>1</sup>	4	4
Cable Diameters	0.093" – 1.25" (2.4 – 31.8 mm) and Flat Drop	0.093" – 1.25" (2.4 – 31.8 mm) and Flat Drop
Ground Studs	4	4
Configuration	Butt	Butt
Application	Direct Bury, Below Grade, Pole/Wall, Aerial	Direct Bury, Below Grade, Pole/Wall, Aerial
Ingress Protection	In accordance to Telcordia® GR-771-CORE, Buried, Underground; IP-68	In accordance to Telcordia® GR-771-CORE, Buried, Underground; IP-68
Size <sup>2</sup>	8.57" W x 17.85" L (218 x 463 mm)	8.57" W x 17.85" L (218 x 463 mm)

<sup>1</sup> Multi-hole grommets allow for more than one cable to enter each cable port.

<sup>2</sup> Outermost part of the assembly; includes the sealing collar.

## ► COYOTE® 6.5" x 17" Dome Closure Organizer Assemblies

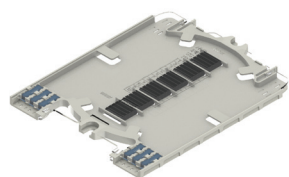


### COYOTE 6.5" x 17" Dome Closure Kit Contents

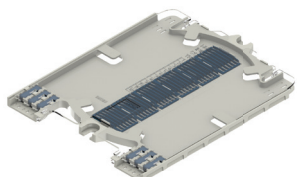
Catalog Number	Description
8006944	COYOTE 6.5" x 17" Dome Closure for Buffer Tube – Includes (2) 1-Hole Grommets 0.40" – 0.60" (10.2 - 15.2 mm) and (2) 1-Hole Grommets 0.60" - 0.85" (15.2 - 21.6 mm)
8006945	COYOTE 6.5" x 17" Dome Closure for Ribbon – Includes (2) 1-Hole Grommets 0.40" – 0.60" (10.2 – 15.2 mm), (2) 1-Hole Grommets 0.60" – 0.85" (15.2 – 21.6 mm), (1) Transition Tubing Kit, and (2) Transport Tubing Kits
800012940	Flame Retardant COYOTE 6.5" x 17" Dome Closure for Buffer Tube – Includes (2) 1-Hole Grommets 0.40" – 0.60" (10.2 – 15.2 mm), and (2) 1-Hole Grommets 0.60" – 0.85" (15.2 – 21.6 mm)
800012941	Flame Retardant COYOTE 6.5" x 17" Dome Closure for Ribbon – Includes (2) 1-Hole Grommets 0.40" – 0.60" (10.2 – 15.2 mm), (2) 1-Hole Grommets 0.60" – 0.85" (15.2 – 21.6 mm), (1) Transition Tubing Kit, and (2) Transport Tubing Kits

All kits include (1) COYOTE 6.5" End Plate with Organizer, (1) Dome, (1) Gasket, (4) 1-Hole Grommets and Cable Restraint Hardware (Splice Trays and Hanger Brackets Sold Separately).

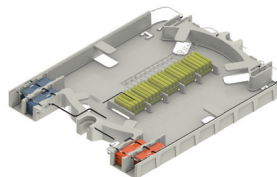
## ► COYOTE® LITE-GRIP® Short Splice Trays



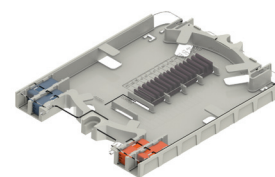
**Catalog Number: 80809958**  
Short – Low Profile  
Single Fusion  
24 Splice Count



**Catalog Number: 80813152**  
Short – Low Profile  
Single Fusion  
36 Splice Count



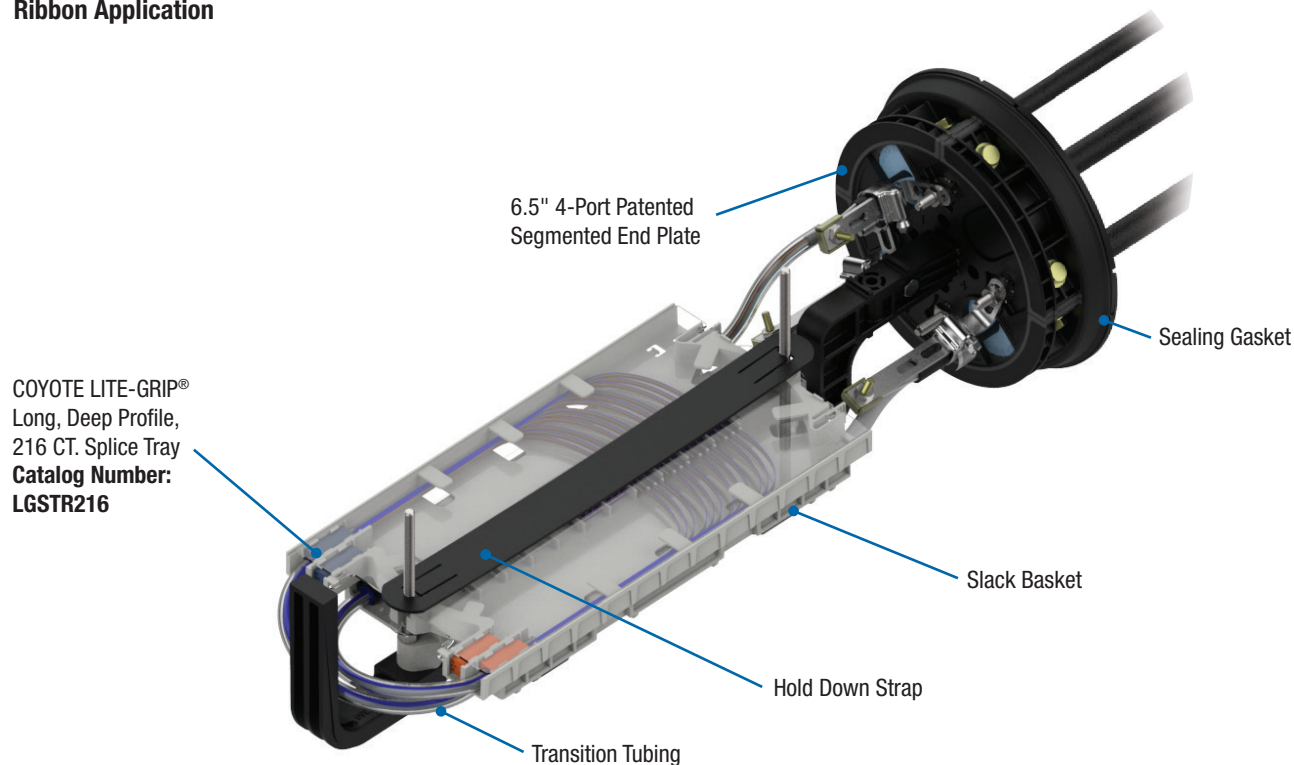
**Catalog Number: 80808945**  
Short – Deep Profile  
Single Fusion/Double Stack  
40 Splice Count



**Catalog Number: LGSTR144**  
Short – Deep Profile  
Ribbon/Mass Fusion  
144 Splice Count

## ► COYOTE® 6.5" x 22" Dome Closure

### Ribbon Application



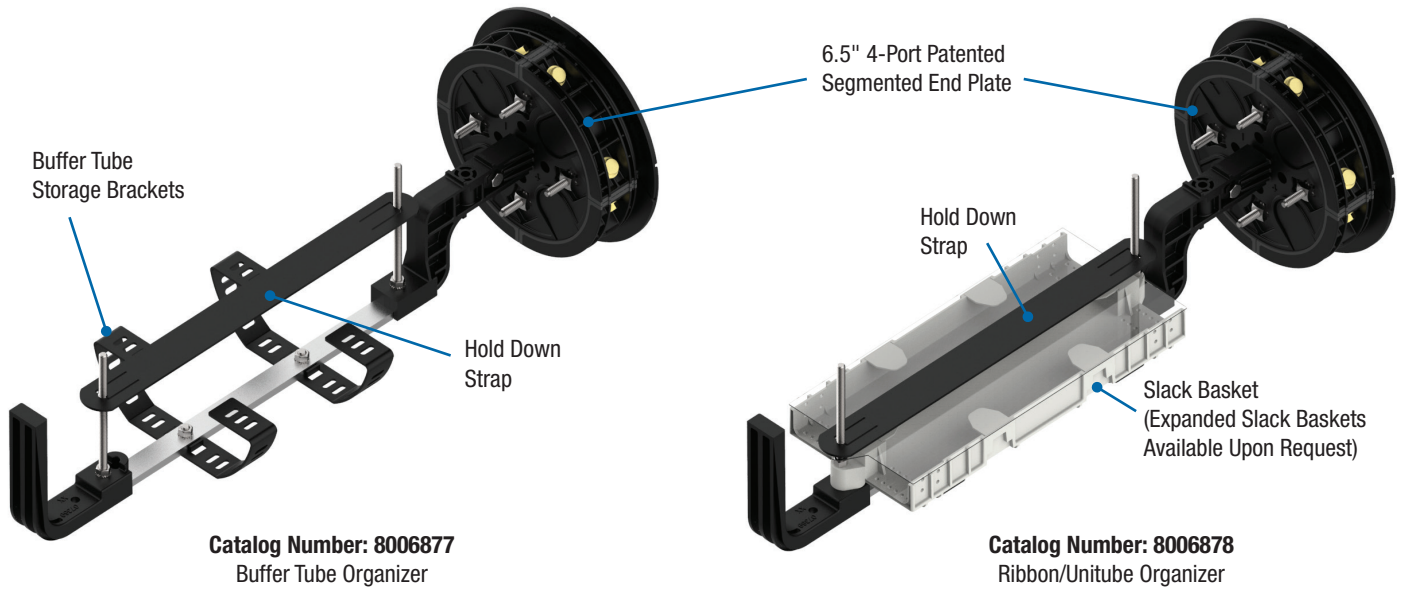
### Specifications

Specifications	Buffer	Ribbon
<b>Catalog Numbers</b>	<b>8006877</b>	<b>8006878</b>
Splice Capacity (Maximum) – Single Fusion (Standard Profile, 80810086), Single Fusion (Deep Profile, LGSTS72), Mass Fusion (Deep Profile, LGSTR216)	144, 216, N/A	144, 216, 648
Number of Splice Trays – 80810086, LGSTS72, LGSTR216	4, 3, N/A	4, 3, 3
Cable Ports <sup>1</sup>	4	4
Cable Diameters	0.093" – 1.25" (2.4 – 31.8 mm) and Flat Drop	0.093" – 1.25" (2.4 – 31.8 mm) and Flat Drop
Ground Studs	4	4
Configuration	Butt	Butt
Application	Direct Bury, Below Grade, Pole/Wall, Aerial	Direct Bury, Below Grade, Pole/Wall, Aerial
Ingress Protection	In accordance to Telcordia® GR-771-CORE, Buried, Underground; IP-68	In accordance to Telcordia® GR-771-CORE, Buried, Underground; IP-68
Size <sup>2</sup>	8.57" W x 22.60" L (218 x 574 mm)	8.57" W x 22.60" L (218 x 574 mm)

<sup>1</sup> Multi-hole grommets allow for more than one cable to enter each cable port.

<sup>2</sup> Outermost part of the assembly; includes the sealing collar.

## ▶ COYOTE® 6.5" x 22" Dome Closure Organizer Assemblies

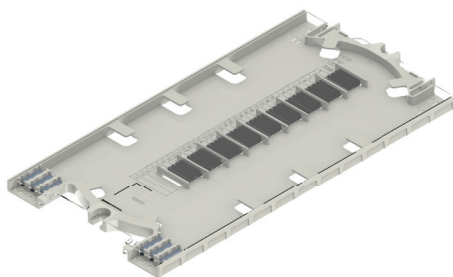


### COYOTE 6.5" x 22" Dome Closure Kit Contents

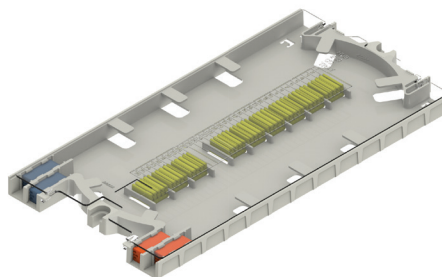
Catalog Number	Description
8006877	COYOTE 6.5" x 22" Dome Closure for Buffer Tube – Includes (2) 1-Hole Grommets 0.40" – 0.60" (10.2 – 15.2 mm), and (2) 1-Hole Grommets 0.60" – 0.85" (15.2 – 21.6 mm)
8006878	COYOTE 6.5" x 22" Dome Closure for Ribbon – Includes (2) 1-Hole Grommets 0.40" – 0.60" (10.2 – 15.2 mm), (2) 1-Hole Grommets 0.60" – 0.85" (15.2 – 21.6 mm), (1) Transition Tubing Kit, and (2) Transport Tubing Kits
800012942	Flame Retardant COYOTE 6.5" x 22" Dome Closure for Buffer Tube – Includes (2) 1-Hole Grommets 0.40" – 0.60" (10.2 – 15.2 mm), and (2) 1-Hole Grommets 0.60" – 0.85" (15.2 – 21.6 mm)
800012943	Flame Retardant COYOTE 6.5" x 22" Dome Closure for Ribbon – Includes (2) 1-Hole Grommets 0.40" – 0.60" (10.2 – 15.2 mm), (2) 1-Hole Grommets 0.60" – 0.85" (15.2 – 21.6 mm), (1) Transition Tubing Kit, and (2) Transport Tubing Kits

All kits include (1) COYOTE 6.5" End Plate with Organizer, (1) Dome, (1) Gasket, (4) 1-Hole Grommets and Cable Restraint Hardware (Splice Trays and Hanger Brackets Sold Separately).

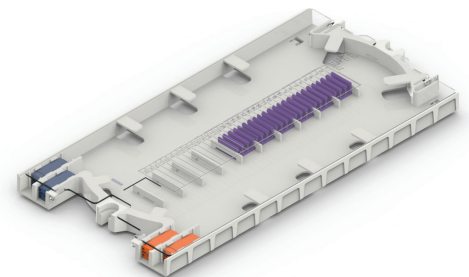
## ▶ COYOTE® LITE-GRIP® Long Splice Trays



**Catalog Number: 80810086**  
Long – Standard Profile  
Single Fusion  
36 Splice Count



**Catalog Number: LGSTS72**  
Long – Deep Profile  
Single Fusion/Double Stack  
72 Splice Count



**Catalog Number: LGSTR216**  
Long – Deep Profile  
Ribbon/Mass Fusion  
216 Splice Count

## ► COYOTE® Dome Closure Accessories and Mounting Brackets

### COYOTE® 6.5" Dome Closure Accessories

Catalog Number	Description
80809958	Splice Tray, COYOTE LITE-GRIP® Short, Low Profile, 24 CT., Single Fusion
80813152	Splice Tray, COYOTE LITE-GRIP Short, Low Profile, 36 CT., Single Fusion
80808945	Splice Tray, COYOTE LITE-GRIP Short, Deep Profile, 40 CT., Single Fusion
LGSTR144	Splice Tray, COYOTE LITE-GRIP Short, Deep Profile, 144 CT., Mass Fusion
80810086	Splice Tray, COYOTE LITE-GRIP Long, Standard Profile, 36 CT., Single Fusion
LGSTS72	Splice Tray, COYOTE LITE-GRIP Long, Deep Profile, 72 CT., Single Fusion
LGSTR216	Splice Tray, COYOTE LITE-GRIP Long, Deep Profile, 216 CT., Mass Fusion
8004160	Heat Shrink Splice Protector Kit – Includes (50) 40 mm Mass Fusion
8004095	Heat Shrink Splice Protector Kit – Includes (50) 40 mm Single Fusion
8003717	Heat Shrink Splice Protector Kit – Includes (50) 60 mm Single Fusion
COYEPFIX1	End Plate Assembly Fixture for 6.5" and 9.5" Domes
80808997	End Plate Gasket for 6.5" Domes
80807332	Latching Collar for 6.5" Domes
80061200	Breakaway Bonding Plate for 6.5" Domes
80809205	Strength Member Bracket Kit – Includes (2) Short L-Brackets
80808651	Strength Member Bracket Kit – Includes (4) Long L-Brackets
80808878	Large Strength Member Adapter Kit
80811037	4-Port Cable Retention Bobbin Kit
80811036	6-Port Drop Cable Retention Bobbin Kit
80812928	6/8-Port Drop Cable Retention Bobbin Kit

### COYOTE 6.5" Dome Closure Mounting Brackets

Catalog Number	Description
8003831	Aerial Mounting Bracket – Strand Applications
8004035	Aerial Adjustable Offset Mounting Bracket – Strand Applications
8003833	Aerial Mounting Bracket – ADSS Applications
8004036	Aerial Adjustable Offset Mounting Bracket – ADSS Applications
8003702	Pole/Wall Mounting Bracket
8003835	Universal Mounting Bracket Kit – Handhole Applications
8003707	Swing Arm for Handhole Applications
8004003	Manhole Support Bracket