

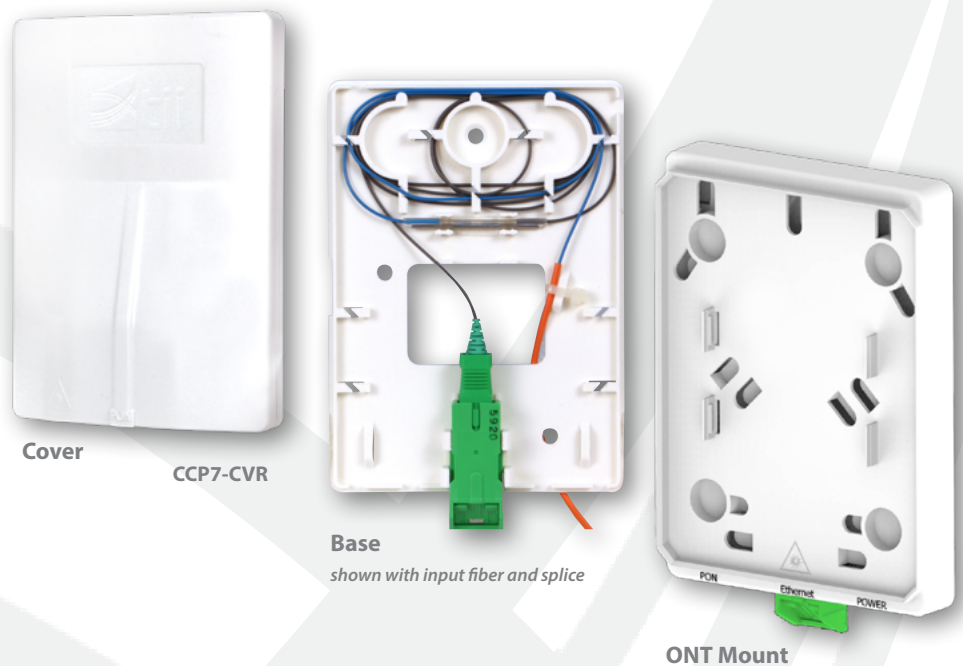
CCP7 Series

Fiber Optic ONT Connection Point

FTTx

MDU

PON



The CCP7 serves as a single fiber connection/demarcation point and is used as the FTTH ONT access point. The unit is directly wall mountable, or may be mounted onto a single gang wiring box.

This enclosure provides a secure location for slack storage and fiber connections. An aesthetically pleasing, low profile cover easily snaps over the base. An optional snap on ONT mounting plate is also available to simplify ONT installations. The integrated SC adapter utilizes a safety shutter to prevent accidental light exposure, dust contamination, and ferrule damage.

KEY PRODUCT BENEFITS

- ▶ Fiber demarcation/ONT access point
- ▶ Gang box or wall mountable
- ▶ Greenfield and Brownfield
- ▶ Optionally enables ONT mounting
- ▶ Supports field termination or fusion (2x)
- ▶ Offered with shuttered SC-APC adapter which prevents contamination
- ▶ LC adapter version also available
- ▶ Fiber management and slack storage
- ▶ Multiple cable entry options: rear, bottom, sides
- ▶ Accommodates up to 3mm fiber
- ▶ Tii FPS Series Fiber Pathway compatible
- ▶ Low profile, aesthetically pleasing

INDUSTRY STANDARDS

- ▶ cUL Listed to 1863
- ▶ TIA/EIA 604-3-A
- ▶ IEC 61754-4

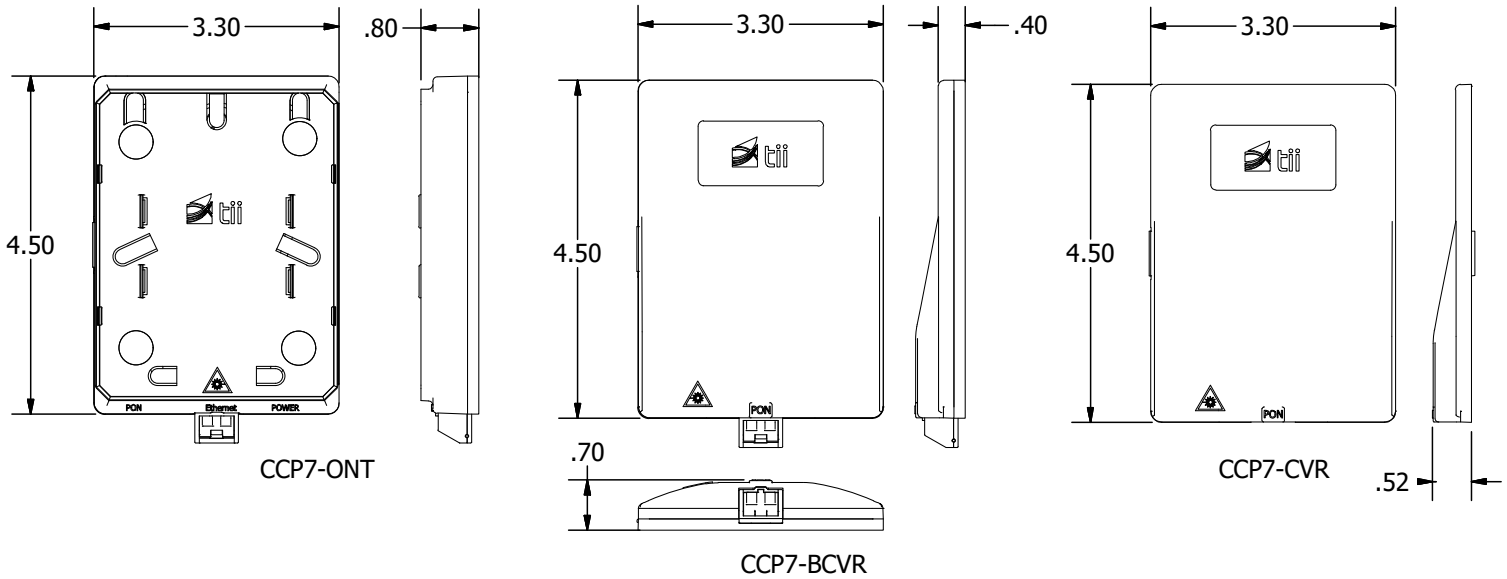


Tii Technologies Inc.

Corporate Headquarters:

141 Rodeo Drive
Edgewood, NY 11717
Phone: 631.789.5000
Fax: 631.789.5063
Toll Free: 888.844.4720
sales@tiitech.com

CCP7 Series



Dimensions are in Inches

SPECIFICATIONS

Interface	Shuttered SC-APC Adapter, Non-shuttered LC Adapter
Splice Capacity	One: Fusion
Material	Flame retardant thermoplastic, white

ORDERING INFORMATION

Model No.	Description	Physical Dimensions
CCP7-ONT	1 Port SC-APC Fiber Jack with Shutter, Includes Base and ONT Mount Plate	4.5" H x 3.3" W x 0.8" D
CCP7-BCVR	1 Port SC-APC Fiber Jack with Shutter, Includes Base and Streamlined Cover	4.5" H x 3.3" W x 0.7" D
CCP7R1LCN	2 Port LC-UPC Fiber Jack, Includes Base and Streamlined Cover	4.5" H x 3.3" W x 0.7" D
CCP7-CVR	Streamlined Cover Plate	4.5" H x 3.3" W x 0.5" D