

Charles Multi-Purpose Housings (CMPH)

Expanded-capacity, environmentally-protected OSP closures designed to house copper, fiber and CATV equipment

Charles Multi-Purpose Housings (CMPH) are versatile OSP closures designed for both new provisioning installations as well as rehabilitation of existing access points housed in metallic enclosures. The CMPH's superior structural strength, outstanding environmental protection and ease of installation combine to create a long-life housing that reduces operational expenses.



The CMPH assembly features a lift-off dome and corrugated channel base. The lift-off dome allows 360° access to internal working areas with access via recessed hex head lock(s) using a 216 Tool or Can Wrench. The dome provides "bell jar" flood protection, eliminates intrusion of wind-blown rain and dust, and prevents unauthorized entry. The base provides ample room for entry of multiple large cables, including conduit. A spacious bottom entry allows technicians to easily slide the base over existing large cable rehabilitation applications.

CMPH enclosures are available with multiple internal bracket configurations for copper, fiber, and copper/fiber installations, as well as empty (no bracket) and custom bracket configurations for unique deployment situations. Ground and bonding hardware is included.

Applications:

- New installations
- Rehabilitation of metallic OSP closures
- Fiber optic splice closure protection
- Cable slack storage
- Cell site deployments



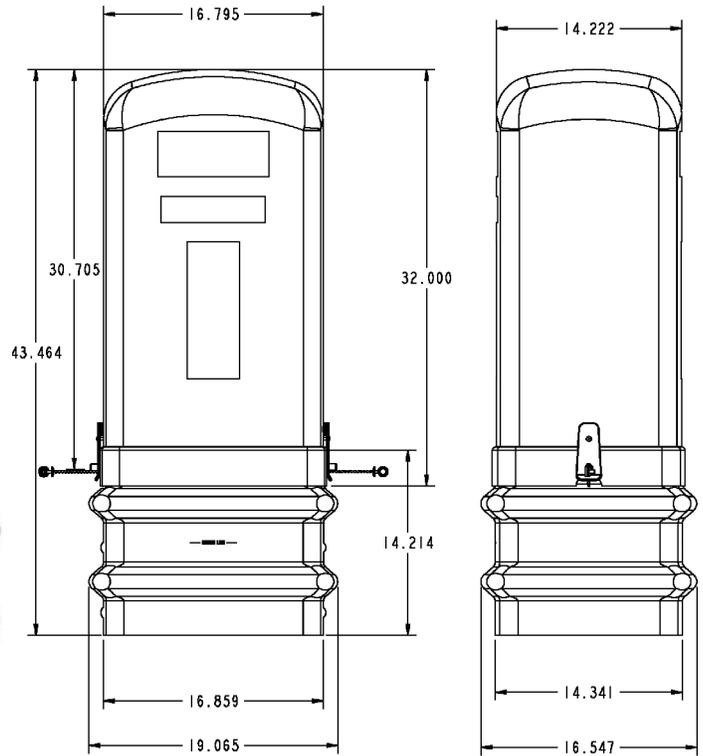
7500 Series CMPH shown in copper (left) and fiber (right) configurations

Product Features

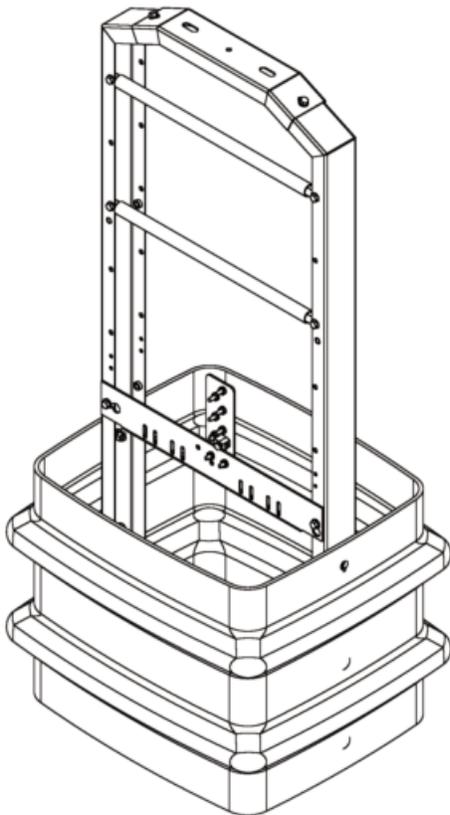
- Structurally rugged, non-metallic outer housing construction offers dent resistance, corrosion protection, electric shock safety and positive alignment in opening and closing
- A corrugated channel base design provides secure footing in all in-plant installations, allows installation with or without the use of mounting stakes, and prevents frost heave
- In rehabilitation installations, existing stakes can be utilized for placement
- The one-piece dome (two-piece on 8500 series) locks securely onto the base creating a "bell-jar" effect that protects internal components in flood-prone areas
- The lift-off dome provides full 360° access to internal splicing area



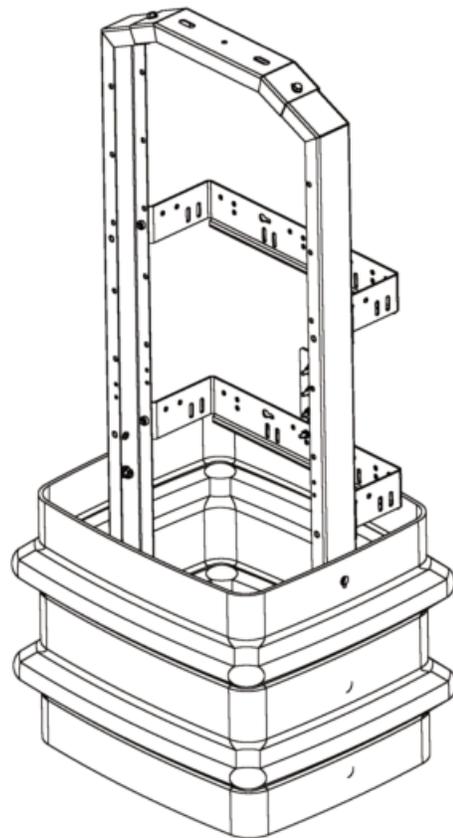
CMPH 4500 Series



Usable Splice Volume (Approx.): 7,400 cu. in.



CMPH-4500N Copper Configuration

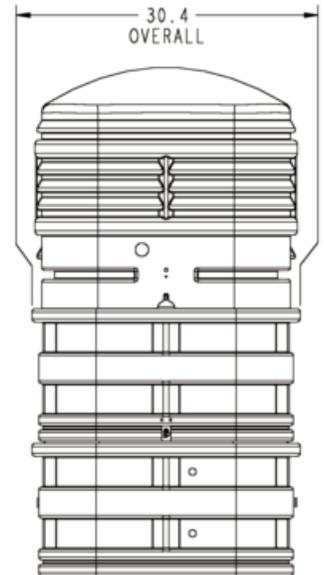
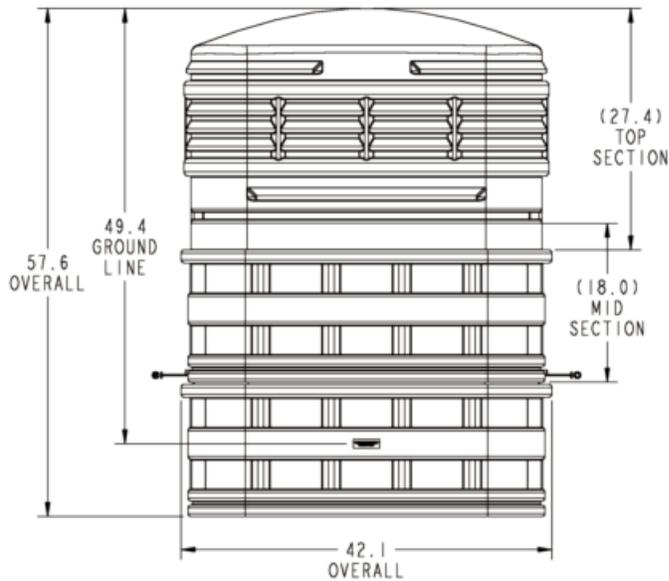
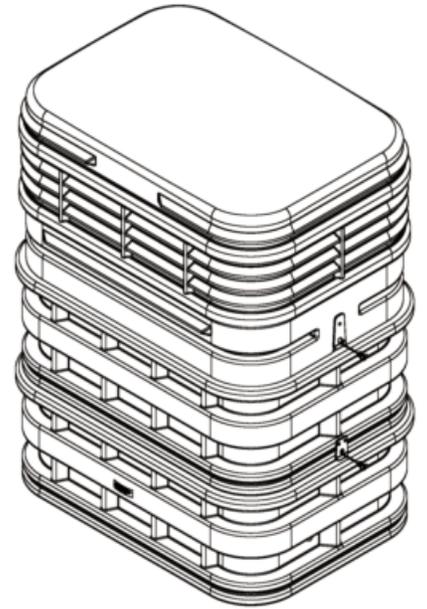
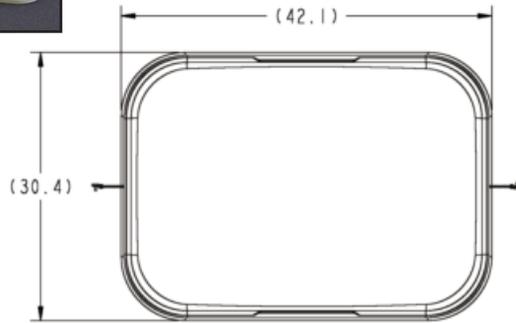


CMPH-450FN Fiber Configuration

CMPH 9500 Series – Extended Height 3-Piece Assembly



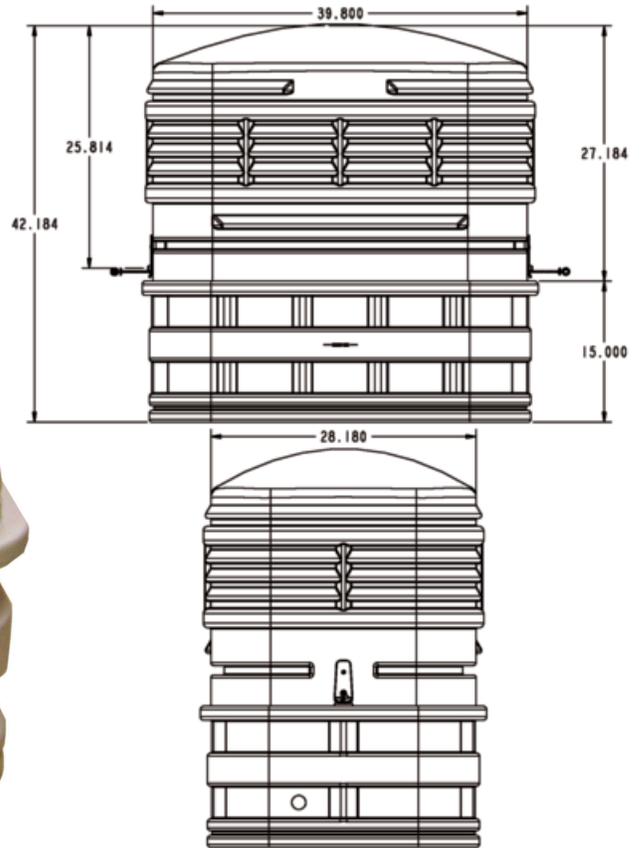
CMPH-950DFNCU



CMPH Field Installations

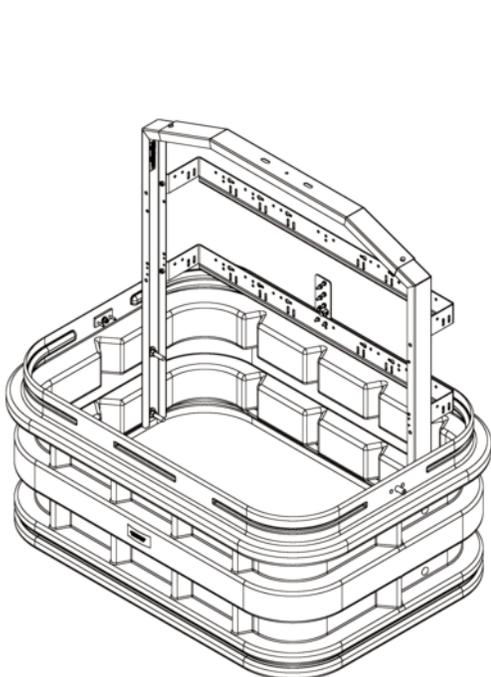


CMPH 9500 Series

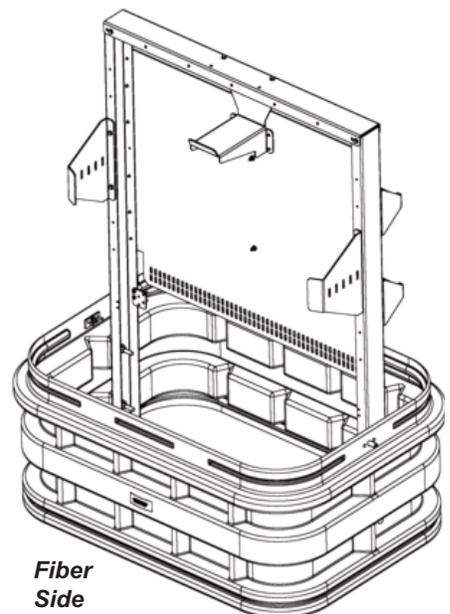
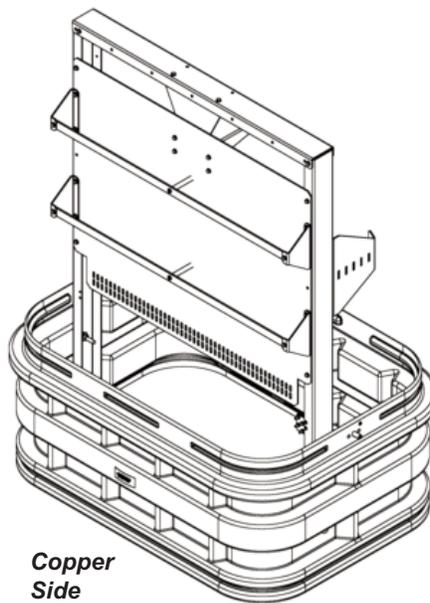


CMPH-9500N

Usable Splice Volume (Approx.): 30,500 cu. in.



CMPH-950FN
Fiber Configuration

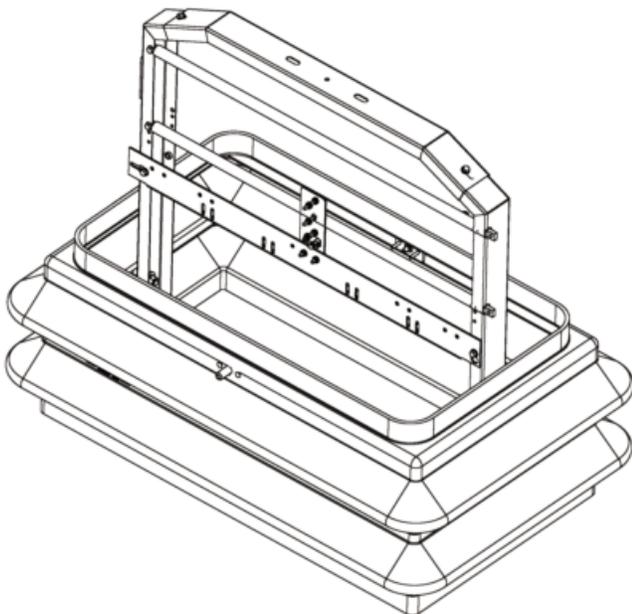
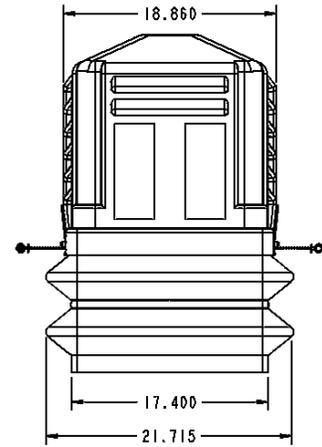
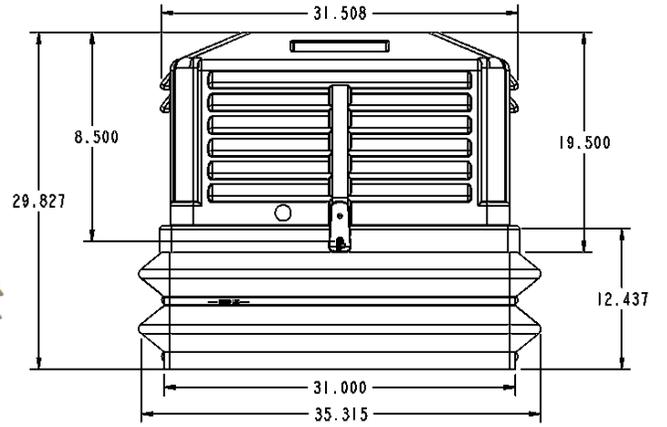


CMPH-950DFNCU Copper/Fiber Configuration
(Special 3-piece assembly, 58" Tall, 43,000 cu. in. volume)

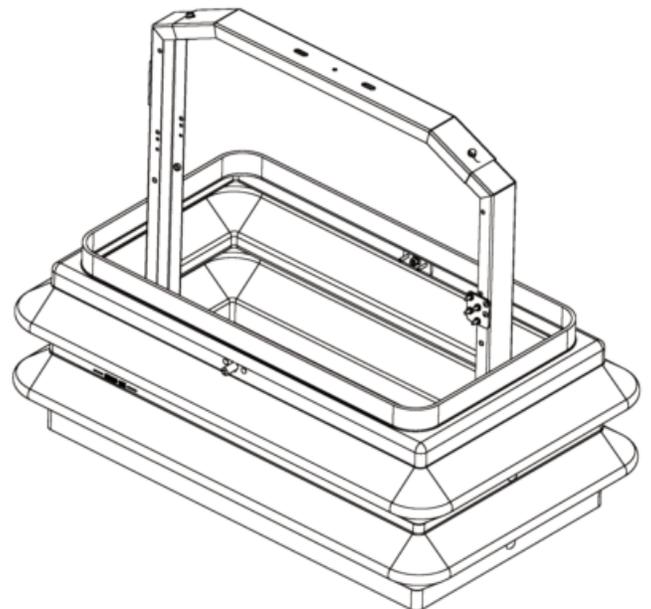
CMPH 5500 Series



Usable Splice Volume (Approx.): 10,500 cu. in.

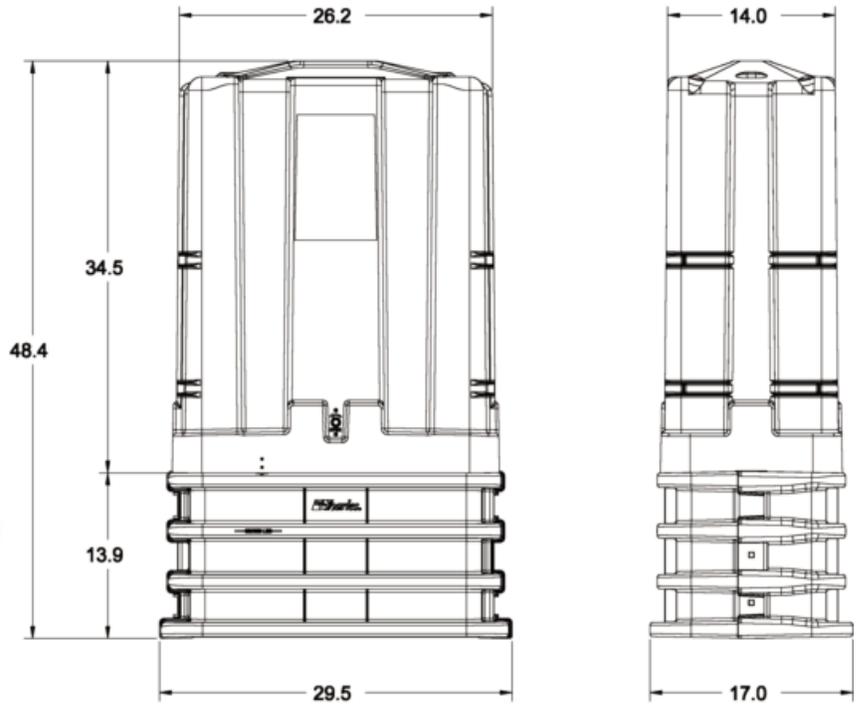


CMPH-5500N Copper Configuration

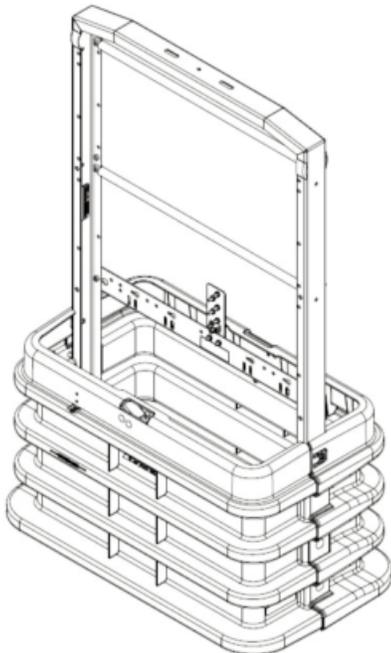


CMPH-5500FN Fiber Configuration

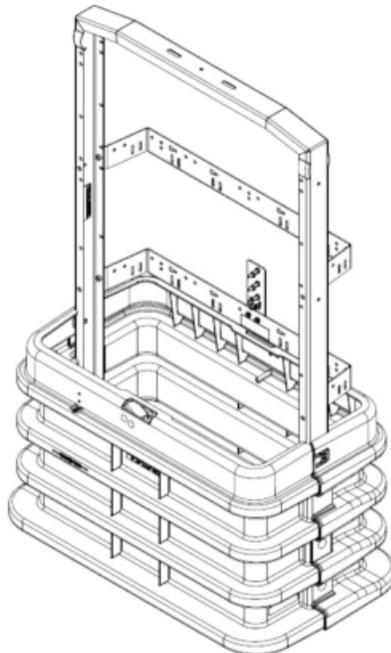
CMPH 7500 Series



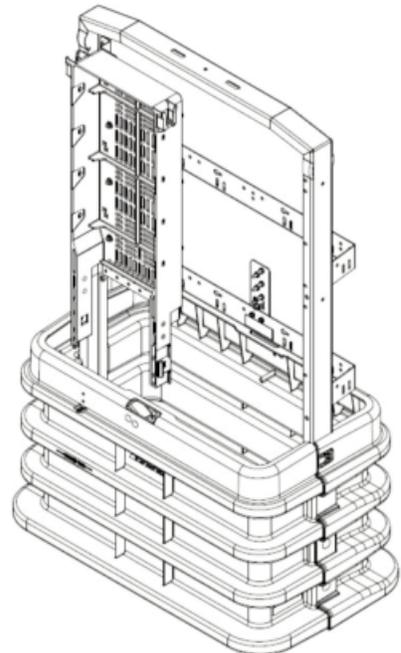
Usable Splice Volume (Approx.): 13,000 cu. in.



CMPH-7500SN Copper Configuration

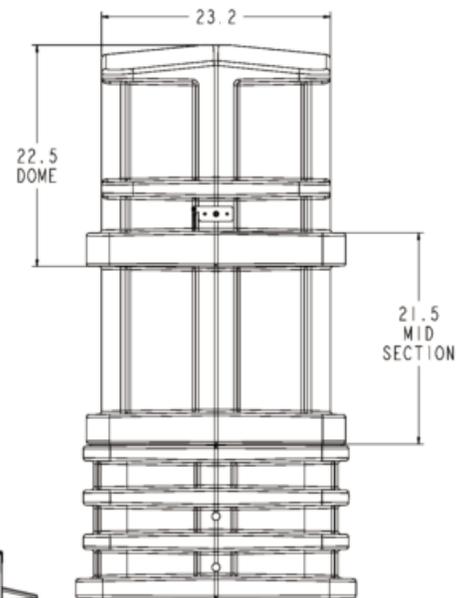
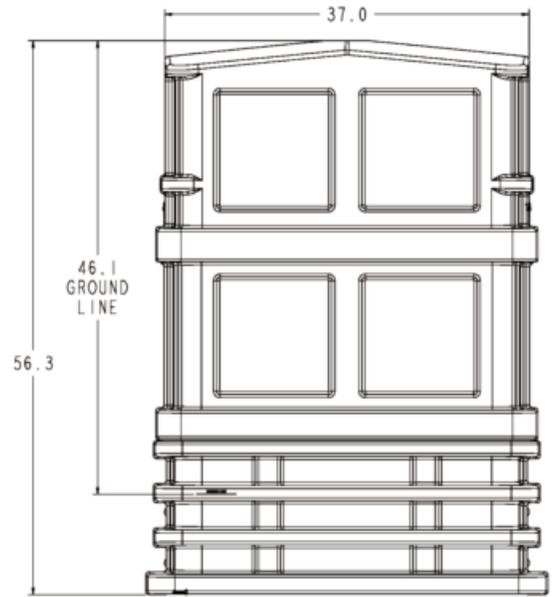


CMPH-7500SFN Fiber Configuration

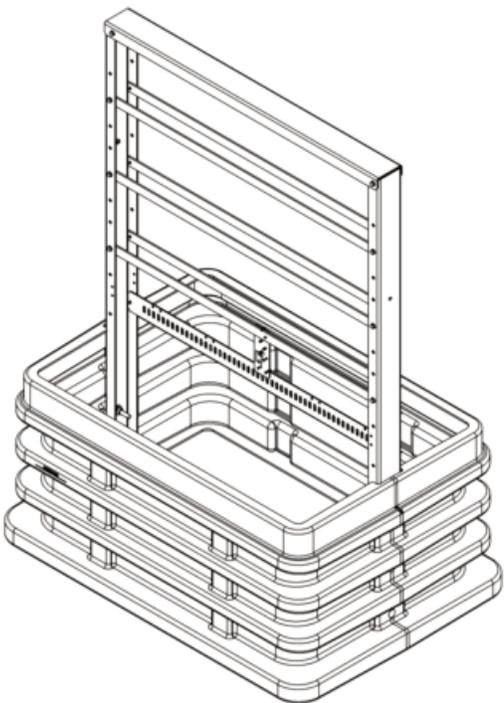


CMPH-7500SFNCU Copper/Fiber Configuration

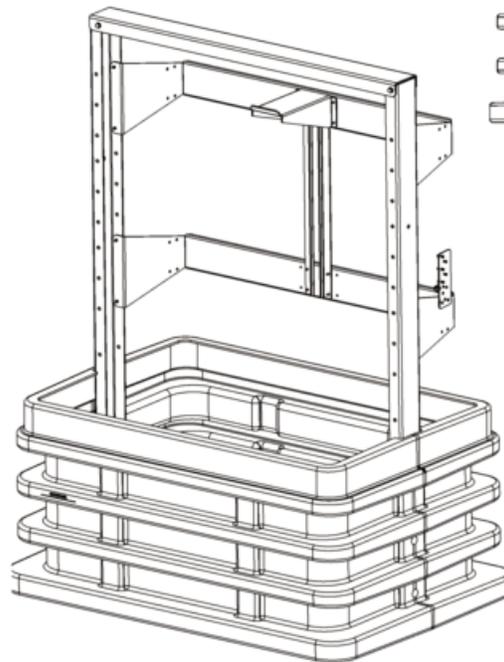
CMPH 8500 Series



Usable Splice Volume (Approx.): 27,000 cu. in.



CMPH-8500N
Copper Configuration



CMPH-850FN
Fiber Configuration



Ordering Information

<u>Description</u>	<u>Copper Configuration</u>	<u>Fiber Configuration</u>	<u>Copper/Fiber Configuration</u>
4500 Series			
Without mounting stakes	CMPH-4500N	CMPH-450FN	N/A
With two 30" universal mounting stakes	CMPH-4510N	CMPH-451FN	N/A
With two 36" universal mounting stakes	CMPH-4520N	CMPH-452FN	N/A
With two 42" universal mounting stakes	CMPH-4530N	CMPH-453FN	N/A
5500 Series			
Without mounting stakes	CMPH-5500N	CMPH-550FN	N/A
With two 30" universal mounting stakes	CMPH-5510N	CMPH-551FN	N/A
With two 36" universal mounting stakes	CMPH-5520N	CMPH-552FN	N/A
With two 42" universal mounting stakes	CMPH-5530N	CMPH-553FN	N/A
7500 Series			
Without mounting stakes	CMPH-7500SN	CMPH-750SFN	CMPH-750SFNCU
With two 30" universal mounting stakes	CMPH-7510SN	CMPH-751SFN	CMPH-751SFNCU
With two 36" universal mounting stakes	CMPH-7520SN	CMPH-752SFN	CMPH-752SFNCU
With two 42" universal mounting stakes	CMPH-7530SN	CMPH-753SFN	CMPH-753SFNCU
8500 Series			
Without mounting stakes	CMPH-8500N	CMPH-850FN	N/A
With two 30" universal mounting stakes	CMPH-8510N	CMPH-851FN	N/A
With two 36" universal mounting stakes	CMPH-8520N	CMPH-852FN	N/A
With two 42" universal mounting stakes	CMPH-8530N	CMPH-853FN	N/A
9500 Series			
Without mounting stakes	CMPH-9500N*	CMPH-950FN	CMPH-950DFNCU
With two 30" universal mounting stakes	CMPH-9510N*	CMPH-951FN	CMPH-951DFNCU
With two 36" universal mounting stakes	CMPH-9520N*	CMPH-952FN	CMPH-952DFNCU
With two 42" universal mounting stakes	CMPH-9530N*	CMPH-953FN	CMPH-953DFNCU

*Empty (No Internal Brackets) Configuration

CMPH ACCESSORIES

<u>Description</u>	<u>Part #</u>
30" universal mounting stake	UMS30-STD (min. order qty. of 10)
36" universal mounting stake	UMS36-STD (min. order qty. of 10)
42" universal mounting stake	UMS42-STD (min. order qty. of 10)



INNOVATIVE ENCLOSED SOLUTIONS™



Dependable Solutions, Superior Support

- Field-proven and unequaled 24-hour technical support
- Individualized application consultation
- Superior quality (ISO 9001/TL 9000 registered)

Visit our website at <http://www.charlesindustries.com>

Charles Industries, Ltd. Voice: (847) 806-6300
 Telecommunications Group Fax: (847) 806-6231
 E-mail: mktserv@charlesindustries.com



D-OSP127-L22

 is a registered trademark of Charles Industries, Ltd.