

COYOTE® CROSS-CONNECT CLOSURES

COYOTE Cross-Connect Closures merge the craft-friendly functions and features found through out the COYOTE fiber optic closure family with the benefits of plug and play technology. COYOTE Cross-Connect Closures come in a variety of sizes and utilize the same grommet sealing system and COYOTE splice trays used in the traditional COYOTE fiber optic closures. They can be populated with a variety of adapter types and are compatible with bare fiber or pre-connectorized splitters. These closures are ideal for applications where services need to be redirected often without having to re-splice each time.

FEATURES AND BENEFITS

- Provides protected fiber splicing and connectivity
- Can be quickly assembled and re-entered
- Flexible grommet sealing technology supports a wide range of flat and round cable profiles
- Multiple splice tray designs support single fusion splicing and splitter retention
- Compatible with standard pigtails or pre-connectorized splitters
- Compatible with SC, LC, FC, and ST style of adapters
- Provides 2 to 96 connections depending on the closure size and adapter type

SPECIFICATIONS

COYOTE DTC Cross-Connect Closure

Catalog Number		800013911, 800013853
Splice Capacity (Maximum) - Single Fusion		24
Cable Port Quantity		4 (2 on each end)
Cable Diameters ¹		0.17" – 0.37" (4.3 – 9.4 mm) and Flat Drop
Configuration		In-Line or Butt
Application		Direct Buried, Below Grade, Pole/Wall, Aerial
Ingress Protection		In accordance with Telcordia® GR-771-CORE, Buried, Underground, IP-68
Size		9.1" L x 7.6" W x 1.7" D (231 x 193 x 43 mm)
Adapter Port Quantity (Maximum)		2 SC or 4 LC
Kit Contents	800013911	Includes (4) 1-Hole Grommet 0.17" – 0.25" (4.3 – 6.4 mm) and Flat Drop Cable, (2) LITE-GRIP® Single Fusion Splice Blocks, (1) LITE-GRIP Mass Fusion Splice Block, (1) Bulkhead Bracket, (2) SC/APC adapters, & (4) 2 mm jacketed pigtails
	800013853	Includes (4) 1-Hole Grommet 0.17" – 0.25" (4.3 – 6.4 mm) and Flat Drop Cable, (2) LITE-GRIP Single Fusion Splice Blocks, (1) LITE-GRIP Mass Fusion Splice Block, and (1) Bulkhead Bracket NOTE: Adapters and pigtails sold separately.

¹This is the maximum range of cable diameters this closure can accept and does not reflect the cable diameter range for the closure kits listed above. Check the grommets provided with each closure kit to determine the acceptable cable diameter range for that closure kit.

COYOTE LCC Cross-Connect Closure

Catalog Number		800013854
Splice Capacity (Maximum) - Single Fusion		16
Cable Port Quantity		2 (1 on each end)
Cable Diameters ¹		0.093" – 1.00" (2.4 – 25.4 mm) and Flat Drop
Configuration		In-Line or Butt
Application		Direct Buried, Below Grade, Pole/Wall, Aerial
Ingress Protection		In accordance with Telcordia® GR-771-CORE, Buried, Underground, IP-68
Size		14.0" L x 6.5" W x 2.5" D (356 x 165 x 64 mm)
Adapter Port Quantity (Maximum)		4 SC or 8 LC
Kit Contents	800013854	Includes (1) 7-Hole Grommet [1 Hole: 0.42" – 0.60" (10.7 – 15.2 mm) and 6 Holes: 0.125" – 0.250" (3.2 – 6.4 mm) and Flat Drop Cable], (1) 8-Hole Grommet 0.125" – 0.250" (3.2 – 6.4 mm) and Flat Drop Cable, (1) Splice Platform, (3) LITE-GRIP Single Fusion Splice Blocks, (1) Dual Strength Member Bracket, (1) "L" Strength Member Bracket, and (1) Bulkhead Bracket NOTE: Adapters and pigtails sold separately

¹This is the maximum range of cable diameters this closure can accept and does not reflect the cable diameter range for the closure kits listed above. Check the grommets provided with each closure kit to determine the acceptable cable diameter range for that closure kit.





SPECIFICATIONS

COYOTE In-Line RUNT Cross-Connect Closure



Catalog Number		80061172, 80061173
Splice Capacity (Maximum) - Single Fusion (Low Profile, 80809958), Single Fusion (Low Profile, 80813152)		48, 72
Number of Splice Trays – 80809958, 80813152		2, 2
Cable Port Quantity		4 (2 on each end)
Cable Diameters ¹		0.093" – 1.20" (2.4 – 30.5 mm) and Flat Drop
Configuration		In-Line or Butt
Application		Direct Buried, Below Grade, Pole/Wall, Aerial
Ingress Protection		In accordance with Telcordia® GR-771-CORE, Buried, Underground; IP-68
Size		18.7" L x 10.0" W x 3.7" H (475 x 254 x 94 mm)
Adapter Port Quantity (Maximum)		8 SC or 16 LC
Kit Contents	80061172	Includes (2) 1-Hole Grommets 0.40" – 0.60" (10.2 – 15.2 mm), (1) 2-Hole Grommet 0.42" – 0.60" (10.7 – 15.2 mm), and (1) 4-Hole Grommet 0.30" – 0.43" (7.6 – 10.9 mm), (1) Splice Tray - Cat. No.80809958, (1) 6 Position Bulkhead Bracket, (6) SC/APC adapters, and (12) 2 mm jacketed pigtails
	80061173	Includes: (2) 1-Hole Grommets 0.40" – 0.60" (10.2 – 15.2 mm), (1) 2-Hole Grommet 0.42" – 0.60" (10.7 – 15.2 mm), and (1) 4-Hole Grommet 0.30" – 0.43" (7.6 – 10.9 mm), (1) Splice Tray - Cat. No. 80809958, (1) 8 Position Bulkhead Bracket, (8) SC/APC adapters, and (16) 2 mm jacketed pigtails

¹This is the maximum range of cable diameters this closure can accept and does not reflect the cable diameter range for the closure kits listed above. Check the grommets provided with each closure kit to determine the acceptable cable diameter range for that closure kit.

COYOTE Dual Chamber Terminal Cross-Connect Closure



Catalog Number		8006956
Splice Capacity (Maximum) - Single Fusion (Low Profile, 80809958), Single Fusion (Low Profile, 80813152), Single Fusion (Deep Profile, 80808945)		96, 144, 80
Number of Splice Trays – 80809958, 80813152, 80808945		4, 4, 2
Cable Port Quantity		6 (4 on each end, 2 on opposite end)
Cable Diameters ¹		0.093" – 1.20" (2.4 – 30.5 mm) and Flat Drop
Configuration		In-Line or Butt
Application		Direct Buried, Below Grade, Pole/Wall, Aerial
Ingress Protection		In accordance with Telcordia® GR-771-CORE, Buried, Underground, IP-68
Size		18.7" L x 10.0" W x 7.0" H (475 x 254 x 178 mm)
Adapter Port Quantity (Maximum)		8 SC or 16 LC
Kit Contents	8006956	Includes (2) 1-Hole Grommets 0.40" – 0.60" (10.2 – 15.2 mm), (1) 2-Hole Grommet 0.42" – 0.60" (10.7 – 15.2 mm), and (1) 4-Hole Grommet 0.30" – 0.43" (7.6 – 10.9 mm), (1) Splice Tray - Cat. No. 80807701, (1) Shroud Kit, (1) 6 Position SC/APC Adapter Module, and (6) 2 mm jacketed pigtails

¹This is the maximum range of cable diameters this closure can accept and does not reflect the cable diameter range for the closure kits listed above. Check the grommets provided with each closure kit to determine the acceptable cable diameter range for that closure kit.

Telcordia® is a registered trademark of Telcordia Technologies, Inc., now part of Ericsson.

SPECIFICATIONS



COYOTE ONE Dome Cross-Connect Closure

Catalog Number		800013856
Splice Capacity (Maximum) – Single Fusion (Low Profile, 80809958), Single Fusion (Low Profile, 80813152)		48, 72
Number of Splice Trays – 80809958, 80813152		2, 2
Cable Port Quantity		3
Cable Diameters ¹		0.093" – 0.85" (2.4 – 21.6 mm) and Flat Drop
Configuration		Butt
Application		Direct Buried, Below Grade, Pole/Wall, Aerial
Ingress Protection		In accordance with Telcordia® GR-771-CORE, Buried, Underground, IP-68
Size		16.0" L x 10.8" W x 5.7" H (406 x 274 x 145 mm)
Adapter Port Quantity (Maximum)		12 SC or 16 LC
Kit Contents	800013856	Includes (2) 2-Hole Grommet 0.42" – 0.60" (10.7 – 15.2 mm), (1) 6-Hole Grommet 0.125" – 0.250" (3.2 – 6.4 mm) and Flat Drop Cable, and (1) Bulkhead Bracket NOTE: Adapter modules and pigtails sold separately.

¹This is the maximum range of cable diameters this closure can accept and does not reflect the cable diameter range for the closure kits listed above. Check the grommets provided with each closure kit to determine the acceptable cable diameter range for that closure kit.

COYOTE 6.5" x 17" Dome Cross-Connect Closure



Catalog Number		CXD617B-001
Splice Capacity (Maximum) - Single Fusion (Low Profile, 80809958), Single Fusion (Low Profile, 80813152), Single Fusion (Deep Profile, 80808945)		96, 144, 80
Number of Splice Trays – 80809958, 80813152, 80808945		4, 4, 2
Cable Port Quantity		4
Cable Diameters ¹		0.093" – 1.25" (2.4 – 31.8 mm) and Flat Drop
Configuration		Butt
Cable Types		Buffer Tube Only
Application		Direct Buried, Below Grade, Pole/Wall, Aerial
Ingress Protection		In accordance with Telcordia® GR-771-CORE, Buried, Underground, IP-68
Size		8.6" W x 17.9" L (218 x 464 mm)
Adapter Port Quantity (Maximum)		24 SC or 48 LC
Kit Contents	CXD617B-001	Includes (2) 1-Hole Grommets 0.40" – 0.60" (10.2 – 15.2 mm), (2) 1-Hole Grommets 0.60" – 0.85" (15.2 – 21.6 mm), and (1) 16 Position Bulkhead Bracket NOTE: Adapters and pigtails sold separately.

¹This is the maximum range of cable diameters this closure can accept and does not reflect the cable diameter range for the closure kits listed above. Check the grommets provided with each closure kit to determine the acceptable cable diameter range for that closure kit.

SPECIFICATIONS

COYOTE 6.5" x 17" Dome Cross-Connect Closure



Catalog Number		CXD617U-001
Splice Capacity (Maximum) - Single Fusion (Low Profile, 80809958), Single Fusion (Low Profile, 80813152), Single Fusion (Deep Profile, 80808945)		96, 144, 80
Number of Splice Trays – 80809958, 80813152, 80808945		4, 4, 2
Cable Port Quantity		4
Cable Diameters ¹		0.093" – 1.25" (2.4 – 31.8 mm) and Flat Drop
Configuration		Butt
Cable Types		Buffer Tube or Ribbon
Application		Direct Buried, Below Grade, Pole/Wall, Aerial
Ingress Protection		In accordance with Telcordia® GR-771-CORE, Buried, Underground, IP-68
Size		8.6" W x 17.9" L (218 x 464 mm)
Adapter Port Quantity (Maximum)		24 SC or 48 LC
Kit Contents	CXD617U-001	Includes (2) 1-Hole Grommets 0.40" – 0.60" (10.2 – 15.2 mm), (2) 1-Hole Grommets 0.60" – 0.85" (15.2 – 21.6 mm), (1) Transition Tubing Kit, (2) Transport Tubing Kits, and (1) 16 Position Bulkhead Bracket NOTE: Adapters and pigtails sold separately.

¹This is the maximum range of cable diameters this closure can accept and does not reflect the cable diameter range for the closure kits listed above. Check the grommets provided with each closure kit to determine the acceptable cable diameter range for that closure kit.

COYOTE 6.5" x 22" Dome Cross-Connect Closure



Catalog Number		CXD622B-001
Splice Capacity (Maximum) - Single Fusion (Standard Profile, 80810086), Single Fusion (Deep Profile, LGSTS72)		108, 144
Number of Splice Trays – 80810086, LGSTS72		3, 2
Cable Port Quantity		4
Cable Diameters ¹		0.093" – 1.25" (2.4 – 31.8 mm) and Flat Drop
Configuration		Butt
Cable Types		Buffer Tube Only
Application		Direct Buried, Below Grade, Pole/Wall, Aerial
Ingress Protection		In accordance with Telcordia® GR-771-CORE, Buried, Underground, IP-68
Size		8.6" W x 22.6" L (218 x 574 mm)
Adapter Port Quantity (Maximum)		48 SC or 96 LC
Kit Contents	CXD622B-001	Includes (2) 1-Hole Grommets 0.40" – 0.60" (10.2 – 15.2 mm), (2) 1-Hole Grommets 0.60" – 0.85" (15.2 – 21.6 mm), and (1) 32 Position Bulkhead Bracket NOTE: Adapters and pigtails sold separately.

¹This is the maximum range of cable diameters this closure can accept and does not reflect the cable diameter range for the closure kits listed above. Check the grommets provided with each closure kit to determine the acceptable cable diameter range for that closure kit.

SPECIFICATIONS

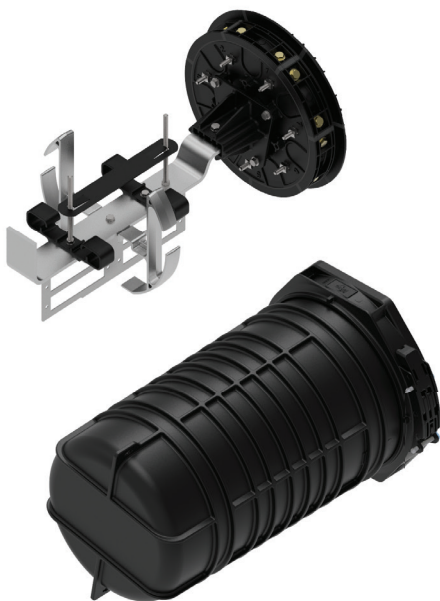


COYOTE 6.5" x 22" Dome Cross-Connect Closure

Catalog Number		CXD622U-001
Splice Capacity (Maximum) - Single Fusion (Standard Profile, 80810086), Single Fusion (Deep Profile, LGSTS72)		108, 144
Number of Splice Trays – 80810086, LGSTS72		3, 2
Cable Port Quantity		4
Cable Diameters ¹		0.093" – 1.25" (2.4 – 31.8 mm) and Flat Drop
Configuration		Butt
Cable Types		Buffer Tube or Ribbon
Application		Direct Buried, Below Grade, Pole/Wall, Aerial
Ingress Protection		In accordance with Telcordia® GR-771-CORE, Buried, Underground, IP-68
Size		8.6" W x 22.6" L (218 x 574 mm)
Adapter Port Quantity (Maximum)		48 SC or 96 LC
Kit Contents	CXD622U-001	Includes: (2) 1-Hole Grommets 0.40" – 0.60" (10.2 – 15.2 mm), (2) 1-Hole Grommets 0.60" – 0.85" (15.2 – 21.6 mm), (1) Transition Tubing Kit, (2) Transport Tubing Kits, and (1) 32 Position Bulkhead Bracket NOTE: Adapters and pigtails sold separately.

¹This is the maximum range of cable diameters this closure can accept and does not reflect the cable diameter range for the closure kits listed above. Check the grommets provided with each closure kit to determine the acceptable cable diameter range for that closure kit.

COYOTE 9.5" x 19" Dome Cross-Connect Closure



Catalog Number		CXD91901
Splice Capacity (Maximum) - Single Fusion (Low Profile, 80809958), Single Fusion (Low Profile, 80813152), Single Fusion (Deep Profile, 80808945)		240, 360, 200
Number of Splice Trays – 80809958, 80813152, 80808945		10, 10, 5
Cable Port Quantity		7
Cable Diameters ¹		0.093" – 1.25" (2.4 – 31.8 mm) and Flat Drop
Configuration		Butt
Application		Direct Buried, Below Grade, Pole/Wall, Aerial
Ingress Protection		In accordance with Telcordia® GR-771-CORE, Buried, Underground, IP-68
Size		13.3" W x 20.4" L (338 x 509 mm)
Adapter Port Quantity (Maximum)		48 SC or 96 LC
Kit Contents	CXD91901	Includes: (2) 2-Hole Grommet 0.42" – 0.60" (10.7 – 15.2 mm) and (2) 1-Hole Grommets 0.60" – 0.85" (15.2 – 21.6 mm) NOTE: Adapter modules and pigtails sold separately.

¹This is the maximum range of cable diameters this closure can accept and does not reflect the cable diameter range for the closure kits listed above. Check the grommets provided with each closure kit to determine the acceptable cable diameter range for that closure kit.