

FET2 Series

Fiber Entrance Terminal

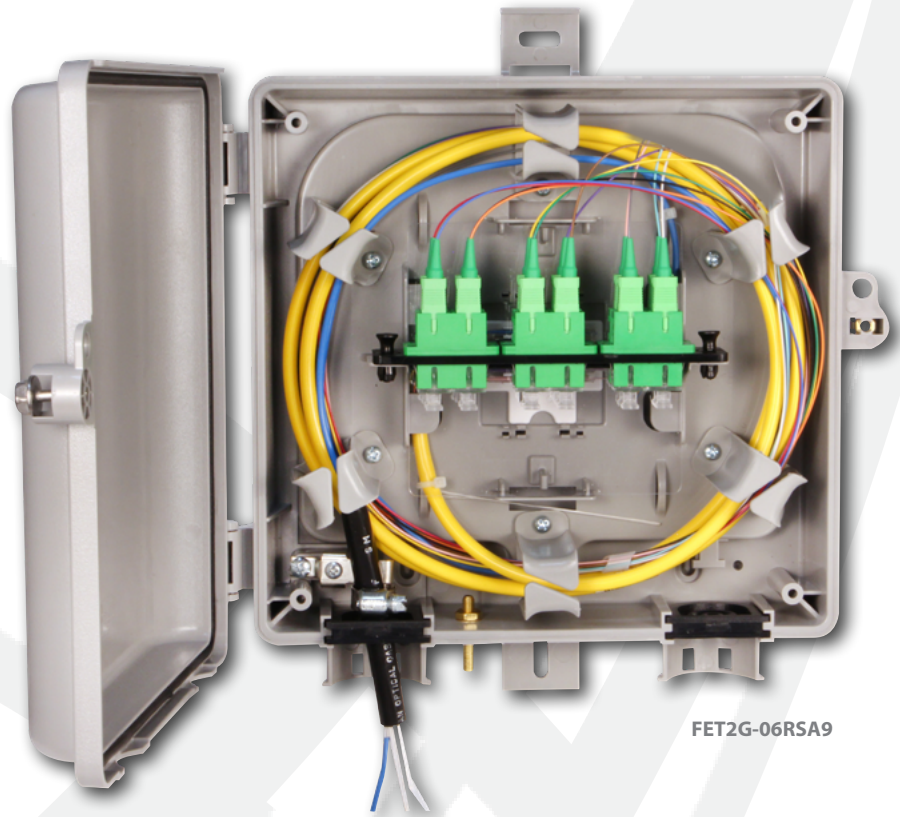
CPE/Premise Wiring

DOT

FTTx

MDU

PON



The FET2 is a compact patch & splice unit which features connectivity between the OSP fiber drop and customer fiber drop and slack storage. The unit is configurable for up to 16 fiber terminations.

KEY PRODUCT BENEFITS

- ▶ Indoor/outdoor for wall and pole mounting
- ▶ Provides demarcation point between outdoor fiber drop and customer premise fiber
- ▶ 1/2" grommet kits compatible with RTK Series Riser Tube Kit
- ▶ Constructed of superior materials capable of withstanding harsh outdoor environments, including UV degradation, chemical exposure, and extreme temperatures
- ▶ Up to 16 fiber ports for OSP to customer fiber transitions
- ▶ Integrated and removable splice tray assembly
- ▶ Entry grommets accept up to 1 inch conduit with provision for tie wrap retention
- ▶ 2X internal tie down features for proper strain relief of fiber cables
- ▶ Hinged cover fits securely on the base to provide maximum protection against environmental conditions and intrusion of foreign matter, protecting sensitive fiber connectivity
- ▶ Cover closes securely with 3/8" hex head bolt and has a provision for a tie-wrap
- ▶ Allows for mid-span access of cable

INDUSTRY STANDARDS

- ▶ Meets GR-2898, GR-771 and NEMA 4 requirements



Tii Technologies Inc.

Corporate Headquarters:

141 Rodeo Drive

Edgewood, NY 11717

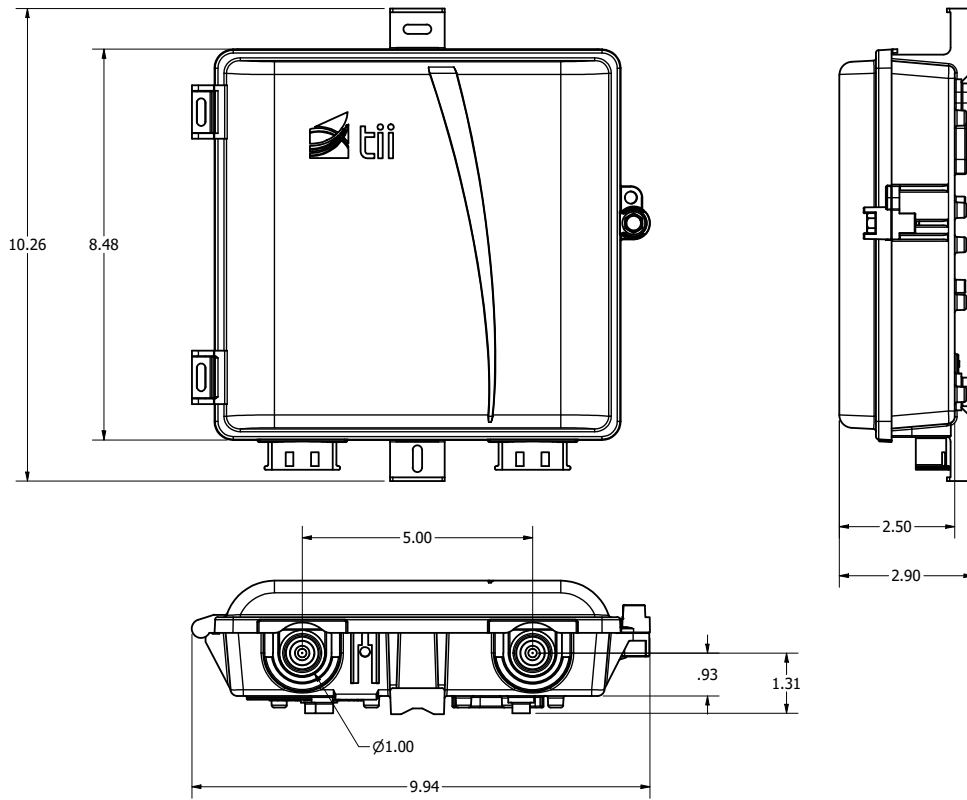
Phone: 631.789.5000

Fax: 631.789.5063

Toll Free: 888.844.4720

sales@tiitech.com

FET2 Series



Dimensions are in Inches

ORDERING INFORMATION

Model No.	Description	Standard Pkg.
FET2G	Fiber Entry Terminal, Empty, 1 LGX Adapter Plate Capacity	5 each, 11" x 11" x 16" - 8.4 lbs.

CUSTOM MODEL NUMBER MATRIX

FET2G —	XX	X	XX	X	X	X	X
	Fiber Ports	Fiber Type	Adapters	Pigtails	Splitter Type	Splitter Qty.	Grommets (Optional)
	01-06	R = Singlemode	LC = LC-UPC	N = Patch Only	0 = None	0-2	None = 2 Standard Grommets
	08*	K = MM62.5 OM1	LA = LC-APC	5 = 250um Pigtails	1 = 1x4		C = 2 Conduit Grommets
	10*	S = MM50 OM3	SC = SC-UPC	9 = 900um Pigtails	2 = 1x8		G = 1 Standard Grommet, 1 Conduit Grommet (1/2")
	12*		SA = SC-APC	R = 12 Fiber Ribbon Pigtail			P = 1 Conduit Grommet (1/2"), 1 Compression Grommet

*08, 10, 12 - Duplex Adapters

ACCESSORIES

Model No.	Description
FET2G-GRM-KIT	Grommets for FET2G Standard Grommet (2 ea.)
FET2G-CMP-GRM-KIT1/2	Grommets for FET2G 1/2" Compression Entry (2 ea.)
FET2G-CMP-GRM-KIT3/4	Grommets for FET2G 3/4" Compression Entry (2 ea.)
FET2G-CON-GRM-KIT1/2	Grommets for FET2G 1/2" Conduit Entry (2 ea.)
FET2G-CON-GRM-KIT3/4	Grommets for FET2G 3/4" Conduit Entry (2 ea.)



INFORMATION CONTAINED IN THIS PUBLICATION IS PROVIDED ONLY FOR YOUR CONVENIENCE AND IS SUBJECT TO CHANGE WITHOUT NOTICE. TII TECHNOLOGIES MAKES NO REPRESENTATIONS OR WARRANTIES OF ANY KIND WHETHER EXPRESS OR IMPLIED, WRITTEN OR ORAL, STATUTORY OR OTHERWISE, RELATED TO THE INFORMATION, INCLUDING BUT NOT LIMITED TO ITS CONDITION, QUALITY, PERFORMANCE, MERCHANTABILITY OR FITNESS FOR PURPOSE; AND TII TECHNOLOGIES DISCLAIMS ALL LIABILITY ARISING FROM THE USE OF THIS INFORMATION.