

# Single Port Power over Ethernet Injector

90W IEEE 802.3bt 5G



## Highlights & Features

- Meet IEEE 802.3bt Standard and Compatible with IEEE 802.3af/at Compatible means power injector (PSE) can apply power to system (PD) when PD use af and at IC
- Support 10/100/1000/2500/5000 Base-T
- Compliant with Limited Power Source (LPS)
- High Efficiency & Low No Load Power meet DOE VI and Tier II
- Provide 2 LED indicators include Power LED (Green) and PoE LED (Green)
- Over-Voltage/Load/Temperature & Short Circuit Protections
- IT Safety Approvals
- 200k Hours MTBF @ 25° C
- Optimal PoE Injector solution for the outdoor GigaPro p6he and GigaSpire u4hm appliances

## SPECIFICATIONS

### Input Ratings / Characteristics

Nominal Input Voltage	100 ~ 240 Vac
Input Voltage Range	90 ~ 264 Vac
Nominal Input Frequency	50 ~ 60 Hz
Input Frequency Range	47 ~ 63 Hz
Input Current	2.0 A Maximum
Average Efficiency @ 115 Vac / 60 Hz	88% (on board)
Average Efficiency @ 230 Vac / 50 Hz	89% (on board)
No Load Power Consumption @ 115 Vac / 60 Hz	< 0.21 W
No Load Power Consumption @ 230 Vac / 50 Hz	< 0.15 W

### Output Ratings / Characteristics

Rated Voltage	56 Vdc
Voltage Range	54 ~ 57 Vdc (on board)
Current	0 ~ 1.61 A

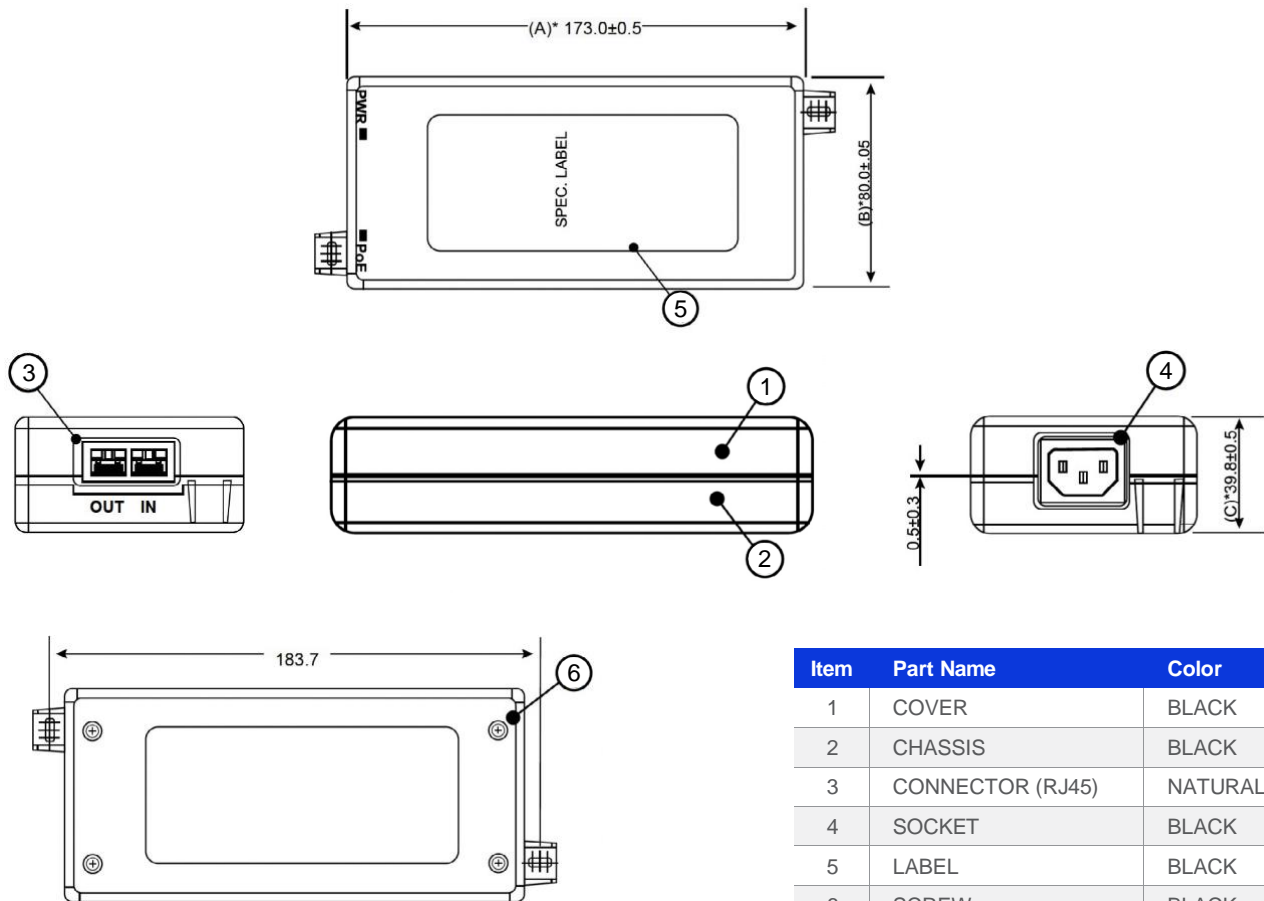
Environment and EMC	
Operating Temperature	°C ~+40 °C
Shipping/Storage Temperature	°C ~+65 °C
Operating Humidity	5% ~ 90%
Shipping/Storage Humidity	5 ~ 90% (Non-Condensing)
Operating Altitude	-500 ~ 10000 feet
Electrostatic Discharge (ESD) Per IEC-61000-4-2	Contact discharge: ± 6kv Air discharge: ± 8kv Criterion B
Radiated Immunity (RS) Per IEC-61000-4-3	3 V/m, 80% AM, 1 kHz, 80 MHz-1 GHz, Criterion A
Electric Fast Transients (EFT) Per IEC-61000-4-4	± 1 kV on input power lines; Criterion B
Lightning Surge Immunity Per IEC-61000-4-5 AC Input Port	1.2/50 µs / 8/20 µs combination wave ± 2 kV from line to line, Generator impedance: 2Ω , Criterion B ± 4 kV from line to earth, Generator impedance: 12Ω , Criterion B
Lightning Surge Immunity Per EN55024/EN55035 RJ45 PoE Port	10/700 µs wave ± 2 kV all lines to earth
Conducted Immunity (CS) Per IEC-61000-4-6	3V, 80% AM, 1 kHz, 150 kHz - 80 MHz Criterion A
Di-electric Withstand Voltage (HI-POT)	3000 Vac RMS from AC Input to Output
Leakage Current	< 250 µA at 264 Vac
Insulation Resistance	DC 500 V 10 MΩ minimum
Electromagnetic Interference (EMI)	CISPR32/EN55032 Class B FCC Part 15 Class B
MTBF	200 k/hours of continuous operation at 25 °
Safety	UL, CE, CCC, UKCA, IEC/UL/EN 62368

Protections	
Overvoltage	Latch - Off
Overload/Overcurrent	Auto-Recovery
Over Temperature	Latch - Off
ShortCircuit	Auto-Recovery

**Mechanical**

Color	Black
Outline Dimensions	173 * 80 * 39.8 mm
AC Inlet Type	Socket C14 Type
Input Data Connector	10/100/1000/2500/5000 Base-T RJ45
Output Power + Data Connector	10/100/1000/2500/5000 Base-T RJ45
Output Connector Pin Assignment and Polarity	Pin 3,6 / 4,5 (+), Pin 1/2 / 7,8 (-)

**Mechanical (90W)**



Item	Part Name	Color
1	COVER	BLACK
2	CHASSIS	BLACK
3	CONNECTOR (RJ45)	NATURAL
4	SOCKET	BLACK
5	LABEL	BLACK
6	SCREW	BLACK

## ORDER INFORMATION

Order Code	Input Voltage Range	Output Voltage	Output Current
100-06005	90 ~ 264 Vac	56 Vdc	1.61 A

**Note:** This PoE injector is used for active PD system. Active PD means with PD IC.